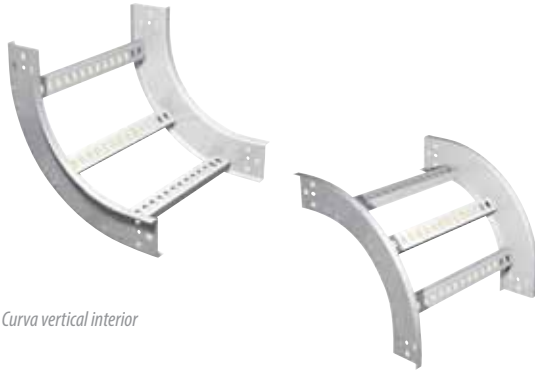
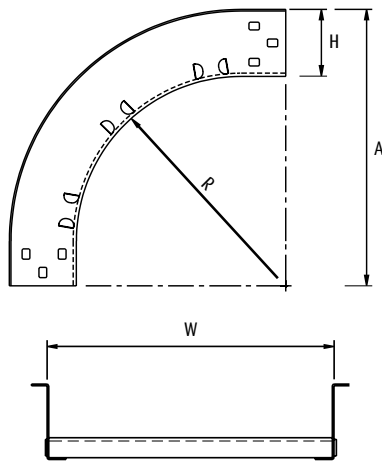


ACCESORIOS DE DIRECCIONAMIENTO



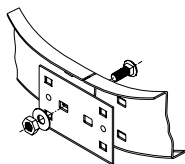
Curva vertical interior

Curva vertical exterior



Codificación

MV*	- W1	RR	- 90	- **	
Tipo de producto	Ancho	Radio de curvatura	° de curva	Características especiales	
E	Curva exterior	04	08	(vacío)	Peralte 3¼" (83 mm)
		06	12	P4	Peralte 4" (102 mm)
		09	24	P4.5	Peralte 4.5" (114 mm)
I	Curva interior	12	30	P5	Peralte 5" (127 mm)
		16	36	P6	Peralte 6" (152 mm)
		18		E	Calibre 16 (Aplica sólo para peralte 3¼")
		20			
		24			
		30			
		36			



Incluye dos conectores rectos y la tornillería requerida para su unión.

CURVA VERTICAL EXTERIOR E INTERIOR A 90°

Ancho (W)	Radio (R)		Altura (A)		Código		
	mm	pul	mm	pul	Curva exterior	Curva interior	
102	4	203	8	H + 254	H + 10	MVE-0408-90	MVI-0408-90
		305	12	H + 356	H + 14	MVE-0412-90	MVI-0412-90
		610	24	H + 660	H + 26	MVE-0424-90	MVI-0424-90
		762	30	H + 813	H + 32	MVE-0430-90	MVI-0430-90
		914	36	H + 965	H + 38	MVE-0436-90	MVI-0436-90
152	6	203	8	H + 254	H + 10	MVE-0608-90	MVI-0608-90
		305	12	H + 356	H + 14	MVE-0612-90	MVI-0612-90
		610	24	H + 660	H + 26	MVE-0624-90	MVI-0624-90
		762	30	H + 813	H + 32	MVE-0630-90	MVI-0630-90
		914	36	H + 965	H + 38	MVE-0636-90	MVI-0636-90
229	9	203	8	H + 254	H + 10	MVE-0908-90	MVI-0908-90
		305	12	H + 356	H + 14	MVE-0912-90	MVI-0912-90
		610	24	H + 660	H + 26	MVE-0924-90	MVI-0924-90
		762	30	H + 813	H + 32	MVE-0930-90	MVI-0930-90
		914	36	H + 965	H + 38	MVE-0936-90	MVI-0936-90
305	12	203	8	H + 254	H + 10	MVE-1208-90	MVI-1208-90
		305	12	H + 356	H + 14	MVE-1212-90	MVI-1212-90
		610	24	H + 660	H + 26	MVE-1224-90	MVI-1224-90
		762	30	H + 813	H + 32	MVE-1230-90	MVI-1230-90
		914	36	H + 965	H + 38	MVE-1236-90	MVI-1236-90
406	16	203	8	H + 254	H + 10	MVE-1608-90	MVI-1608-90
		305	12	H + 356	H + 14	MVE-1612-90	MVI-1612-90
		610	24	H + 660	H + 26	MVE-1624-90	MVI-1624-90
		762	30	H + 813	H + 32	MVE-1630-90	MVI-1630-90
		914	36	H + 965	H + 38	MVE-1636-90	MVI-1636-90
457	18	203	8	H + 254	H + 10	MVE-1808-90	MVI-1808-90
		305	12	H + 356	H + 14	MVE-1812-90	MVI-1812-90
		610	24	H + 660	H + 26	MVE-1824-90	MVI-1824-90
		762	30	H + 813	H + 32	MVE-1830-90	MVI-1830-90
		914	36	H + 965	H + 38	MVE-1836-90	MVI-1836-90
508	20	203	8	H + 254	H + 10	MVE-2008-90	MVI-2008-90
		305	12	H + 356	H + 14	MVE-2012-90	MVI-2012-90
		610	24	H + 660	H + 26	MVE-2024-90	MVI-2024-90
		762	30	H + 813	H + 32	MVE-2030-90	MVI-2030-90
		914	36	H + 965	H + 38	MVE-2036-90	MVI-2036-90
610	24	203	8	H + 254	H + 10	MVE-2408-90	MVI-2408-90
		305	12	H + 356	H + 14	MVE-2412-90	MVI-2412-90
		610	24	H + 660	H + 26	MVE-2424-90	MVI-2424-90
		762	30	H + 813	H + 32	MVE-2430-90	MVI-2430-90
		914	36	H + 965	H + 38	MVE-2436-90	MVI-2436-90
762	30	203	8	H + 254	H + 10	MVE-3008-90	MVI-3008-90
		305	12	H + 356	H + 14	MVE-3012-90	MVI-3012-90
		610	24	H + 660	H + 26	MVE-3024-90	MVI-3024-90
		762	30	H + 813	H + 32	MVE-3030-90	MVI-3030-90
		914	36	H + 965	H + 38	MVE-3036-90	MVI-3036-90
914	36	203	8	H + 254	H + 10	MVE-3608-90	MVI-3608-90
		305	12	H + 356	H + 14	MVE-3612-90	MVI-3612-90
		610	24	H + 660	H + 26	MVE-3624-90	MVI-3624-90
		762	30	H + 813	H + 32	MVE-3630-90	MVI-3630-90
		914	36	H + 965	H + 38	MVE-3636-90	MVI-3636-90

H = Peralte