

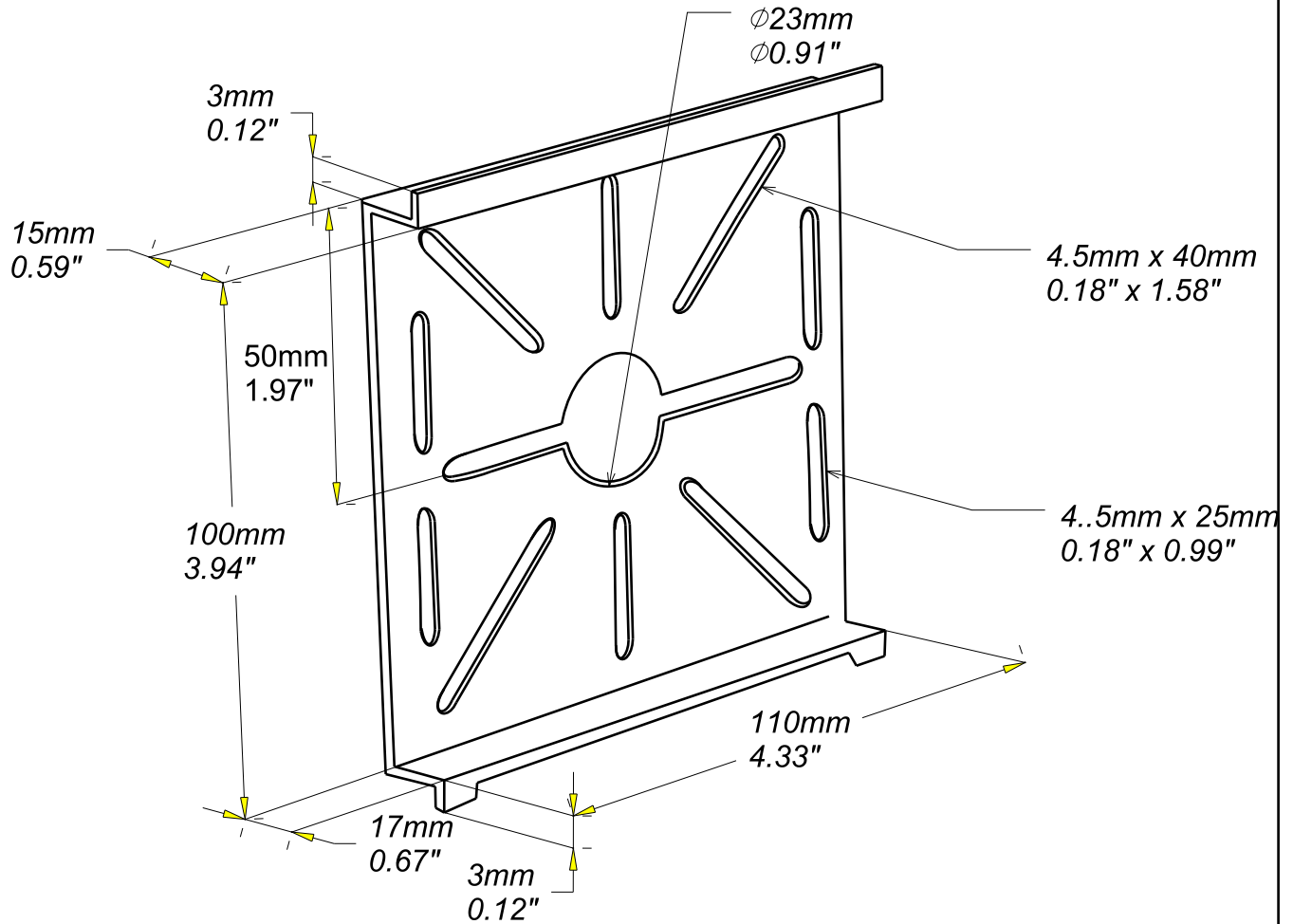
SUPPORT DE BOITE DE DERIVATION EXSBD
EXSBD DIVERSION BOX SUPPORT

GS
PG

CABLOFIL®
INNOVATORS IN CABLE MANAGEMENT

FT0216-0

04 16



REF	CODE	POIDS / WEIGHT (Kg) / (lb)	
EXSBD	585 130	0.070	0.154

EPAISSEUR / THICKNESS 1 / 0.04"	NORME / STANDARD
MATIERE / MATERIAL DX 51 D Z275 MAC	EN 10346
PROTECTION / COATING GS / PreGalvanised	