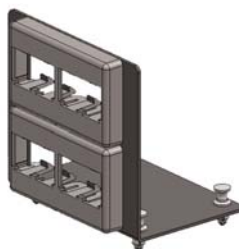


specifications

Modular patch panel shall consist of a metallic right-angle panel with snap-in faceplates which are removable from the front. Modular patch panel shall mount within an enclosure and shall accept all Mini-Com® Modules to mix and match media as required. Modular patch panel shall also offer quick installation features for easy moves, adds, and changes.



technical information

Dimensions:	3.87"H x 2.99"W x 2.00"D (89.3mm x 96.5mm x 50.8mm)
Mounting:	Snaps into custom 1" grid pattern of the enclosure
Packaging:	Includes metal patch panel with assembled faceplate and mounting clips
Compliance:	RoHS, TIA/EIA 570-B Residential Wiring Standard, cULus and UL

key features and benefits

Front-side removable faceplates	Allows front access to installed modules for easy moves, adds, and changes
Modularity	Accepts all Mini-Com® Modules and provides the ability to add ports, mix and match media, and replace modules as needed
Snap-in installation	Snaps directly onto custom grid pattern to simplify installations and allow easy moves, adds, and changes

applications

The Panduit media distribution system is a complete structured cabling solution for residential and commercial deployments that cost-effectively delivers emerging communication and video entertainment connectivity into individual location enclosures. Using customizable and stackable hubs installed within the enclosure, the media distribution system provides voice, video and data applications (commonly referred to as triple-play services) throughout a home or office.

Modularity with Panduit products allows the media distribution system to service an entire network infrastructure from the building demarcation point to the end user's network outlet.

The media distribution Mini-Com® Modular Patch Panel provides a front-accessible patch panel module for use with interchangeable Mini-Com® Modules within an enclosure, offering the ability to add or replace modules as needed.

Accessories

Modular patch panel:	MS8PP
Equipment bracket:	MSEBRKT
Cable management ring:	MSCMR
Cable management kit:	MSCM-KIT
Grounding kit:	MSGRD-KIT

Enclosures

Advanced

14" base	MS14B
14" hinged door	MS14HD
24" base	MS24B
24" hinged door	MS24HD

(Base and hinged door sold separately.)

Basic

14" base with screw down door	MSB14E
24" base with screw down door	MSB24E

Voice (Phone) Hubs

Distribution hub:	MS8PD
Expansion hub:	MS8PE

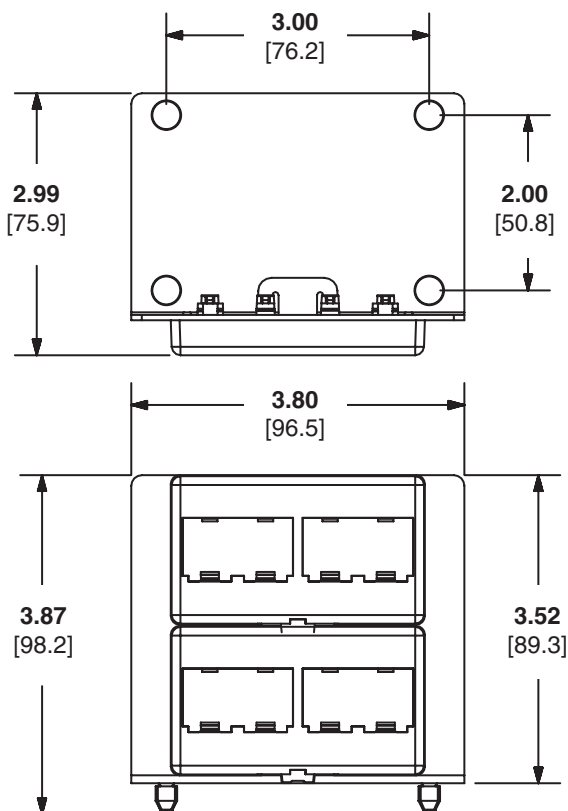
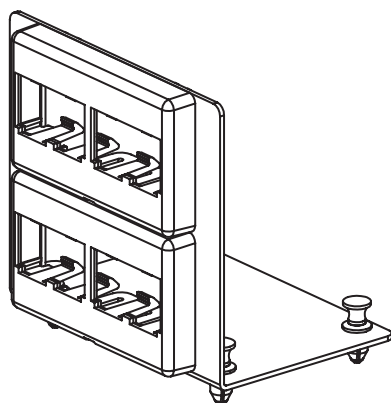
Video Splitters

1 x 8 passive 1GHz:	MS8S1G
1 x 4 passive 1GHz:	MS4S1G
1 x 8 passive 2GHz:	MS8S2G
1 x 4 passive 2GHz:	MS4S2G

Data Hub

Category 5e data hub:	MS5E6PP
------------------------------	---------

Media Distribution Mini-Com® Patch Panel



Dimensions are in inches [Dimensions in brackets are metric]

WORLDWIDE SUBSIDIARIES AND SALES OFFICES

PANDUIT CANADA
Markham, Ontario
cs-cdn@panduit.com
Phone: 800.777.3300

PANDUIT EUROPE LTD.
London, UK
cs-emea@panduit.com
Phone: 44.20.8601.7200

PANDUIT SINGAPORE PTE. LTD.
Republic of Singapore
cs-ap@panduit.com
Phone: 65.6305.7575

PANDUIT JAPAN
Tokyo, Japan
cs-japan@panduit.com
Phone: 81.3.6863.6000

PANDUIT LATIN AMERICA
Jalisco, Mexico
cs-la@panduit.com
Phone: 52.33.3777.6000

PANDUIT AUSTRALIA PTY. LTD.
Victoria, Australia
cs-aus@panduit.com
Phone: 61.3.9794.9020

For a copy of Panduit product warranties, log on to www.panduit.com/warranty

For more information

Visit us at www.panduit.com

Contact Customer Service by email: cs@panduit.com
or by phone: 800-777-3300 and reference OTSP09

PANDUIT®

©2009 Panduit Corp.
ALL RIGHTS RESERVED.
WW-OTSP09
8/2009