

Fiber Slack Management Spool

PROVIDE FLEXIBILITY AND THE PROPER BEND RADIUS FOR CABLES



FHD Fiber Slack Management Spool

The fiber slack management spools effectively manage excess fiber cable slack, providing flexibility and the proper bend radius for cables. Features fiber retention tabs and fingers. Comes with one spool and adhesive mounts. Fiber slack management spools can be used in FHD series rack mount and wall mount fiber enclosures.

Standards Compliance

- RoHS Compliant
- ISO9001 Certificate

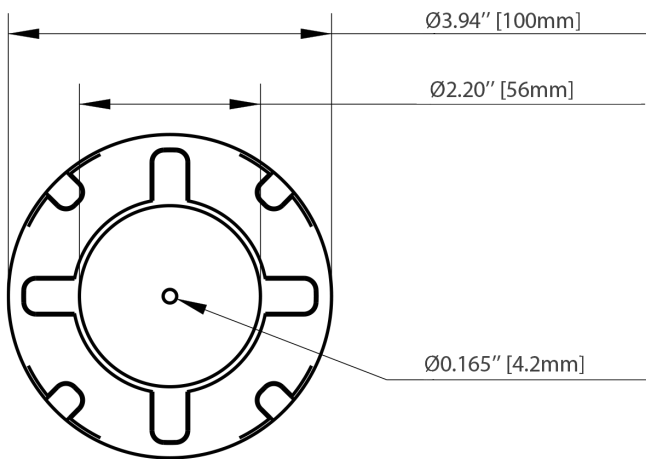
Features

- ABS material
- Smooth rounded edges
- Prevents microbend in cables
- Compact design provides slack storage in compact areas
- Mounting quick and easy installation
- Apply to FHD-series enclosures

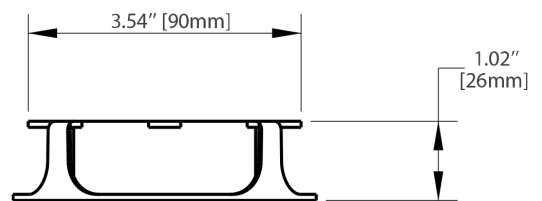
Product Specification

Material	ABS UL94 V0
Dimensions (HxW)	1.02"x3.94" (26x100mm)
Application	Apply to FHD series enclosures
Accessories	M4*8mm screw x1 and M4 nut x1
Operating Temperature	0°C-70°C
Storage Temperature	-40°C-75°C

Technical Drawing



Top View



Front View

Dimensions are in inches. (Dimensions in parentheses are in millimeters).

Matching Products List

Item No.	ID	Description
1	#34684	1U Rack Mount FHD High Density Fiber Enclosure
2	#70361	1U Rack Mount FHD High Density Slide-out Fiber Enclosure
3	#73205	2U Rack Mount FHD High Density Slide-out Fiber Enclosure
4	#73206	4U Rack Mount FHD High Density Slide-out Fiber Enclosure
5	#50550	48 Fibers FHD Fiber Optic Wall Mount Enclosure, 2-Door 2-Adapter Panel
6	#35488	12x LC Duplex, 24 Fibers OS2 Single Mode FHD Fiber Adapter Panel
7	#35484	6x SC Duplex, 12 Fibers OS2 Single Mode FHD Fiber Adapter Panel
8	#35510	12x MTP® Key Up to Key Down Adapters FHD Fiber Adapter Panel
9	#40191	1m LC UPC to LC UPC Duplex OS2 Single Mode PVC (OFNR) 2.0mm Fiber Optic Patch Cable
10	#40214	1m LC UPC to SC UPC Duplex OS2 Single Mode PVC (OFNR) 2.0mm Fiber Optic Patch Cable
11	#68017	1m MTP® Female 12 Fibers Type B Plenum (OFNP) OM4 (OM3) 50/125 Multimode Elite Trunk Cable, Magenta



 <https://www.fs.com>



The information in this document is subject to change without notice. FS has made all efforts to ensure the accuracy of the information, but all information in this document does not constitute any kind of warranty.