

# Fast-acting indicating fuse 60 volts dc, 125 volts ac



**Features:**

- For telecommunications, computer, or control circuits
- Visual spring indicating and alarm circuit indicating
- Color coded flags designate ampere rating.
- Fuses easily replaced without use of insulated tools
- Fuses can be removed with wire hook when mounted on minimum centers

**Description:**

Bussmann® series fast-acting fuses for use in HLT, HLS and PCT fuse holders.

**Specifications:**

**Ratings**

- Volts — 60 Vdc/125 Vac
- Amps — up to 15 A

**Agency Information**

- UL® Recognized, Guide JFHR2, File E56412
- RoHS Compliant

**Materials**

- **Body:** Thermosplastic, UL 94 V0 flammability rating
- **Terminals:** Tin-plated beryllium copper

**Carton quantity and weight**

- Quantity: - 100 fuses per carton
- Weight: - 0.33 lbs. (150g.)

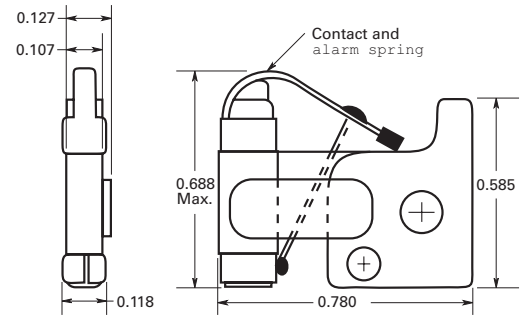
**Fuse holders**

- Catalog Nos. HLT, HLS, and PCT

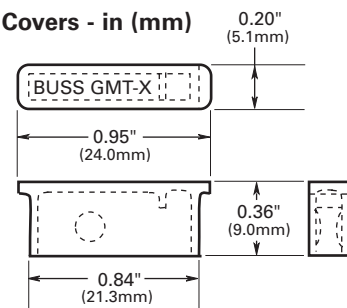
**Fuse covers**

- GMT-X
- GMT-Y (with pull-tab)

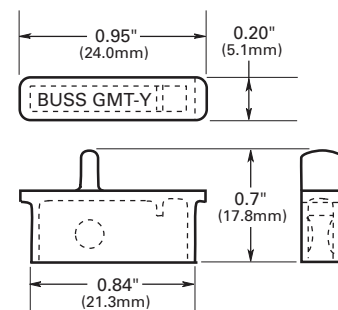
**Dimensions - in (mm):**



**Covers - in (mm)**



GMT-X fuse cover



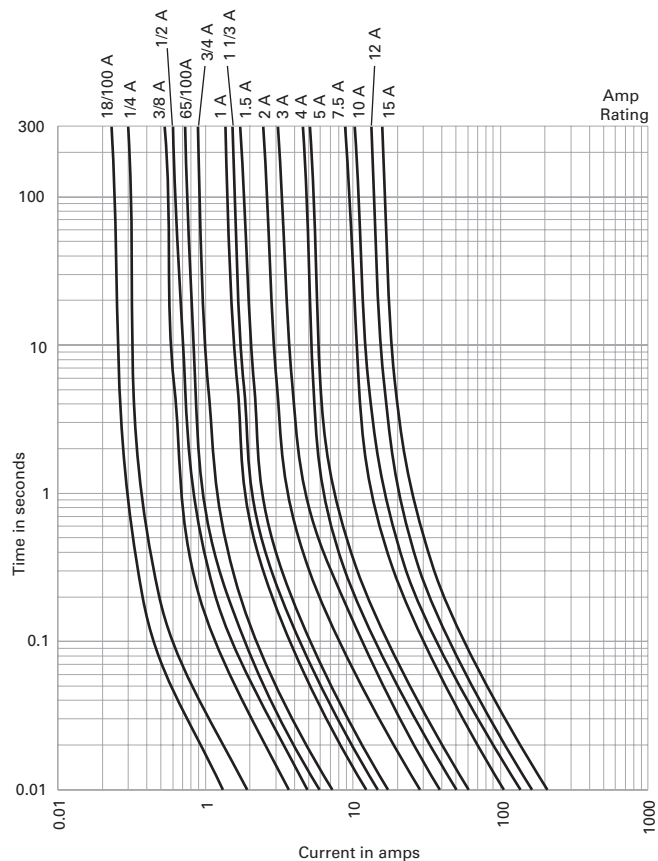
GMT-Y fuse cover

**Catalog symbol and color codes**

Catalog symbol	Color code	Catalog symbol	Color code
GMT-18/100 A	Yellow	GMT-3 1/2 A	White/Blue
GMT-1/4 A	Violet	GMT-4 A	White/Brown
GMT-3/8 A	White/Gray	GMT-5 A	Green
GMT-1/2 A	Red	GMT-7 1/2 A	Black/White
GMT-65/100 A	Black	GMT-10 A	Red/White
GMT-3/4 A	Brown	GMT-12 A	Yellow/Green
GMT-1 A	Gray	GMT-15 A	Red/Blue
GMT-1 1/3 A	White	GMT-Dummy	Gray
GMT-1 1/2 A	White/Yellow	GMT-A (alarm)*	Yellow
GMT-2 A	Orange	GMT-X (cover)	Clear
GMT-3 A	Blue		

\*Designed specifically for use in Telpower® 15800 fused disconnect switch.

**Time-current characteristic curves-average melt**



**Test specifications**

Percent overload	Opening time
100%	10 min. (minimum)
150%	5 min. (maximum)

The only controlled copy of this data sheet is the electronic read-only version located on the Eaton network drive. All other copies of this document are by definition uncontrolled. This bulletin is intended to clearly present comprehensive product data and provide technical information that will help the end user with design applications. Eaton reserves the right, without notice, to change design or construction of any products and to discontinue or limit distribution of any products. Eaton also reserves the right to change or update, without notice, any technical information contained in this bulletin. Once a product has been selected, it should be tested by the user in all possible applications.

**Eaton**  
1000 Eaton Boulevard  
Cleveland, OH 44122  
United States  
Eaton.com

Bussmann Division  
114 Old State Road  
Ellisville, MO 63021  
United States  
Eaton.com/bussmannseries

© 2016 Eaton  
All Rights Reserved  
Printed in USA  
Publication No. 5008 – SB98107  
June 2016

For Eaton's Bussmann series product information, call 1-855-287-7626 or visit: [Eaton.com/bussmannseries](http://Eaton.com/bussmannseries)

Eaton, Bussmann and Telpower are valuable trademarks of Eaton in the US and other countries. You are not permitted to use the Eaton trademarks without prior written consent of Eaton.

UL is a registered trademark of the Underwriters Laboratories, Inc.

Follow us on social media to get the latest product and support information.

