

# AUTODOME 4000

www.boschsecurity.com



**BOSCH**  
Invented for life



- ▶ True day/night camera with 30x optical zoom
- ▶ 720 TVL resolution
- ▶ Wide Dynamic Range (WDR)
- ▶ Compact, vandal-resistant (IK10 rated) enclosure
- ▶ Suitable for indoor and outdoor use

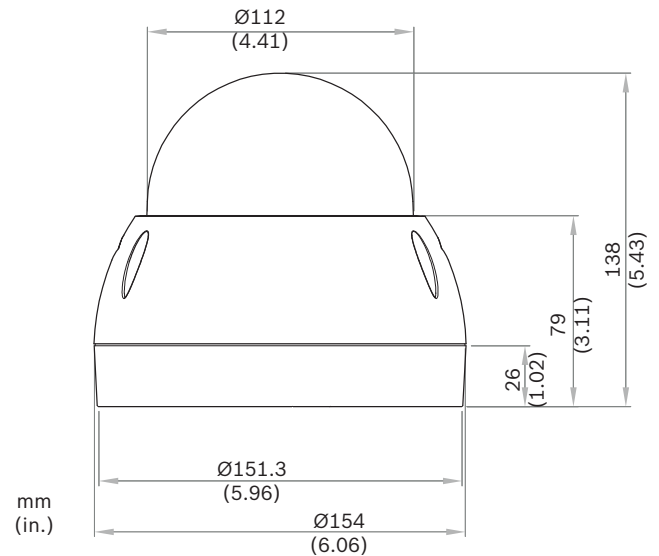
The AUTODOME 4000 Mini PTZ Dome is a rugged, compact, high-resolution, day/night camera that delivers uncompromised functionality and performance at a very affordable price. It features a 30x optical zoom (10x digital zoom), a horizontal resolution of 720 TVL (NTSC and PAL), privacy masking, Wide Dynamic Range (WDR), and a built-in heater.

With a dome diameter of only 4.4 inches (11.2 cm), the AUTODOME 4000 is about 70% smaller than traditional PTZ cameras and 20% smaller than most other compact domes. These compact dimensions make the AUTODOME 4000 ideal for discrete surveillance applications in both indoor and outdoor environments.

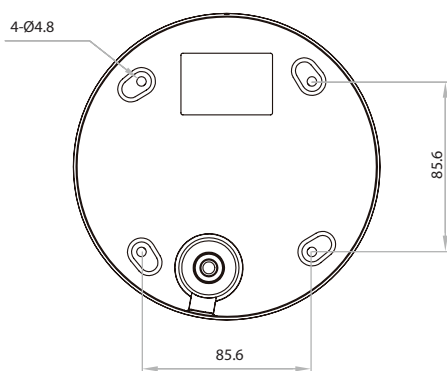
### Certifications and approvals

Region	Certification
Europe	CE
USA	UL
	FCC
Australia	CTICK

### Installation/configuration notes



Dimensions, Camera Side



Dimensions, Camera Bottom

### Parts included

Quantity	Component
1	AUTODOME 4000 Mini PTZ Dome Camera
1	Drilling Template for flush mount
4	6 x 30 mm plastic anchors
4	#8 x 32 screws and attached O-rings
4	M4 x 12 Torx screws and attached O-rings
1	T20 Security Torx wrench
1	Installation Manual

### Technical specifications

#### Camera

Imager	1/4" Double Scan Super HAD CCD II
Lens size	fW=3.49 ±0.17 mm fT=104.02 ±5.20 mm (30x +/- 10% Optical Zoom)
Effective Pixels	PAL: 976 (H) x 582 (V) NTSC: 976 (H) x 494 (V)
Horizontal Resolution	720 TVL (NTSC, PAL)
Optical Zoom	30x Effective Optical Zoom
Digital Zoom	10x
Field of View (approximate)	2.46° (TELE) to 69.5° (Wide)
Focus	Automatic with manual override
Signal-to-Noise Ratio (SNR)	>50 dB
White Balance	Auto, indoor, outdoor, one push
Minimum Illumination	0.2 Lux/ F1.65 0.001 Lux/DSS 0.1 Lux/ICR
Iris Control	Auto

Wide Dynamic Range (WDR)	On/Off
Dynamic Noise Reduction (DNR)	3DNR
Privacy	15 zones maximum

#### Mechanical

Weight	1.5 kg (3.3 lb)
Pan Range	360° continuous
Tilt Range	0° to 180° (90° when 3D Privacy Masking is enabled)
Flip	Rotate 180° at bottom of tilt
Auto Scan	8 Auto Scan modes including vector scan
Pre-position Speed	360°/s
Preset Positions	99 (Bosch OSRD); 210 (Pelco P/D) positions with camera status
Tours	8 Tours (Preset, Pattern, Scan)
Patterns	8 Patterns
On-Screen Display (OSD)	Camera ID, Title, Mode, and Angle (multi-language)
Multi-language OSD	English, Chinese, Dutch, French, German, Italian, Russian, Spanish

#### Electrical

Power Supply	24 VAC ± 10%, 50/60 Hz Built-in power line surge
Power Requirements	24 VAC adapter, 1 A (2.5 A with heater)
Power Consumption	24 VAC, 850 mA / 20 W (without heater) 24 VAC, 2A / 45 W (with heater)
Alarm Input	4 normal dry contacts (selectable NC/NO)
Alarm Output	1 normal relay 5 VDC / 40 mA maximum (selectable NC/NO)
Control	RS-485; baud rate: 2400-38.4 Kbps (default = 9600 bps)
Access Time	0.75 second maximum preset recall time
Camera Address (ID)	Physical - 99

#### Environmental

Ingress Protection Rating	IP66
External Mechanical Impact (IK Code or Impact rating)	IK10

Operating Temperature	-40 °C to +50 °C (-40 °F to +122 °F) Heater works automatically from -40 °C/°F to +10 °C (+50 °F)
Heater thermostat	On/Off at 0 °C to 10 °C (32 °F to 50 °F)
Installation Humidity	80% relative humidity (RH)
Storage Temperature	-20 °C to +60 °C (-4 °F to +140 °F)

### Communications

Camera Setup/Control	RS-485; Bosch Biphase with converter (sold separately)
Communications Protocols	Bosch, Pelco P/D; (Bosch Biphase to RS-485 converter (MIC-BP3), sold separately)

### Construction

Housing Material	Cast aluminum
Color	White or Charcoal
Size (Diameter x Height)	Ø154 x 138 mm (H) (Ø 6.06 x 5.43 in.)
Bubble	Ø112 mm (Ø 4.41 in.) polycarbonate; clear or tinted

### Ordering information

**AUTODOME 4000 Mini PTZ Dome 30x PAL camera, white, clear bubble**  
Order number **VEZ-413-EWCS**

**AUTODOME 4000 Mini PTZ Dome 30x PAL camera, charcoal, clear bubble**  
Order number **VEZ-413-ECCS**

**AUTODOME 4000 Mini PTZ Dome 30x PAL camera, white, tinted bubble**  
Order number **VEZ-413-EWTS**

**AUTODOME 4000 Mini PTZ Dome 30x PAL camera, charcoal, tinted bubble**  
Order number **VEZ-413-ECTS**

**AUTODOME 4000 Mini PTZ Dome 30x NTSC camera, white, clear bubble**  
Order number **VEZ-423-EWCS**

**AUTODOME 4000 Mini PTZ Dome 30x NTSC camera, charcoal, clear bubble**  
Order number **VEZ-423-ECCS**

**AUTODOME 4000 Mini PTZ Dome 30x NTSC camera, white, tinted bubble**  
Order number **VEZ-423-EWTS**

**AUTODOME 4000 Mini PTZ Dome 30x NTSC camera, charcoal, tinted bubble**  
Order number **VEZ-423-ECTS**

### Accessories

**UPA-2450-50 Power Supply, 220 V, 50 Hz**  
Indoor, 220 VAC, 50 Hz In; 24 VAC, 50 VA Out  
Order number **UPA-2450-50**

**UPA-2450-60 Power Supply, 120 V, 60 Hz**  
Indoor, 120 VAC, 60 Hz In; 24 VAC, 50 VA Out  
Order number **UPA-2450-60**

**MIC-BP3 Biphase Converter**  
Biphase converter for IR power supplies or non-IR power supplies without a free expansion slot available  
Order number **MIC-BP3**

**VIP-X1XF**  
H.264 dual-stream 1-channel encoder, VCA ready  
Order number **VIP-X1XF**

**VEZ-A4-IC VEZ-400 IN-CEILING MOUNT**  
Order number **VEZ-A4-IC**

**VGA-IC-SP In-ceiling Support Kit**  
Suspended ceiling support kit for FLEXIDOME cameras (requires VDA-PLEN-DOME kit).  
Order number **VGA-IC-SP**

**AUTODOME 4000 Pipe Mount, Charcoal**  
Order number **VEZ-A4-PC**

**AUTODOME 4000 Pipe Mount, White**  
Order number **VEZ-A4-PW**

**AUTODOME 4000 Wall Mount, Charcoal**  
Order number **VEZ-A4-WC**

**AUTODOME 4000 Wall Mount, White**  
Order number **VEZ-A4-WW**

**VDA-CMT-PTZDOME Corner Mount Adapter**  
Corner mount adapter for use with the appropriate wall mount for indoor or outdoor pole (mast) applications  
Order number **VDA-CMT-PTZDOME**

**VDA-POMT-PTZDOME Pole Mount Adapter for AUTODOME 4000 / 5000**  
Pole mount adapter for use with the appropriate wall mount for indoor and outdoor applications.  
Order number **VDA-POMT-PTZDOME**

**LTC 9213/01 Pole Mount Adapter**  
Pole mount adapter with stainless steel straps, light gray finish  
Order number **LTC 9213/01**

**Represented by:**

**Americas:**

Bosch Security Systems, Inc.  
130 Perinton Parkway  
Fairport, New York, 14450, USA  
Phone: +1 800 289 0096  
Fax: +1 585 223 9180  
security.sales@us.bosch.com  
www.boschsecurity.us

**Europe, Middle East, Africa:**

Bosch Security Systems B.V.  
P.O. Box 80002  
5617 BA Eindhoven, The Netherlands  
Phone: + 31 40 2577 284  
Fax: +31 40 2577 330  
emea.securitysystems@bosch.com  
www.boschsecurity.com

**Asia-Pacific:**

Robert Bosch (SEA) Pte Ltd, Security  
Systems  
11 Bishan Street 21  
Singapore 573943  
Phone: +65 6571 2808  
Fax: +65 6571 2699  
apr.securitysystems@bosch.com  
www.boschsecurity.asia

**China:**

Bosch (Shanghai) Security Systems Ltd.  
203 Building, No. 333 Fuquan Road  
North IBP  
Changning District, Shanghai  
200335 China  
Phone +86 21 22181111  
Fax: +86 21 22182398  
www.boschsecurity.com.cn

**America Latina:**

Robert Bosch Ltda Security Systems Division  
Via Anhanguera, Km 98  
CEP 13065-900  
Campinas, Sao Paulo, Brazil  
Phone: +55 19 2103 2860  
Fax: +55 19 2103 2862  
latam.boschsecurity@bosch.com  
www.boschsecurity.com