

AUTODOME 4000

www.boschsecurity.com



BOSCH
Invented for life



- ▶ True day/night camera with 30x optical zoom
- ▶ 720 TVL resolution
- ▶ Wide Dynamic Range (WDR)
- ▶ Compact, vandal-resistant (IK10 rated) enclosure
- ▶ Suitable for indoor and outdoor use

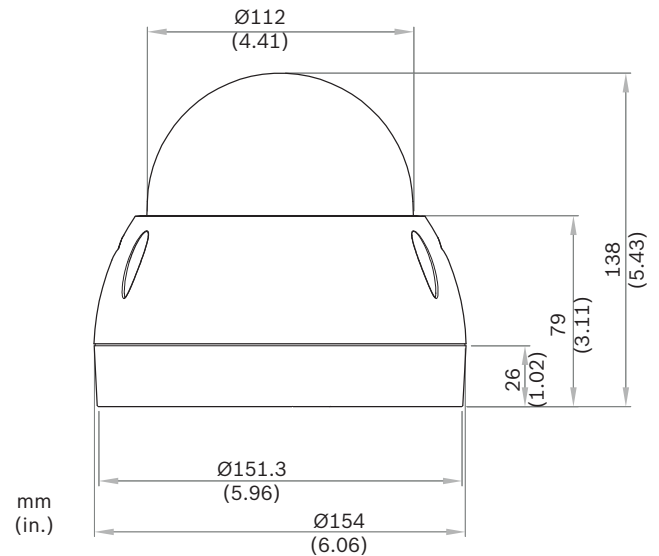
The AUTODOME 4000 Mini PTZ Dome is a rugged, compact, high-resolution, day/night camera that delivers uncompromised functionality and performance at a very affordable price. It features a 30x optical zoom (10x digital zoom), a horizontal resolution of 720 TVL (NTSC and PAL), privacy masking, Wide Dynamic Range (WDR), and a built-in heater.

With a dome diameter of only 4.4 inches (11.2 cm), the AUTODOME 4000 is about 70% smaller than traditional PTZ cameras and 20% smaller than most other compact domes. These compact dimensions make the AUTODOME 4000 ideal for discrete surveillance applications in both indoor and outdoor environments.

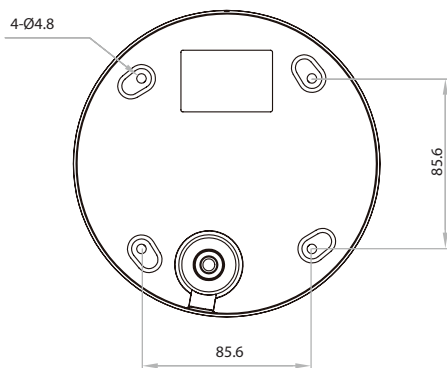
Certifications and approvals

| Region | Certification |
|-----------|---------------|
| Europe | CE |
| USA | UL |
| | FCC |
| Australia | CTICK |

Installation/configuration notes



Dimensions, Camera Side



Dimensions, Camera Bottom

Parts included

| Quantity | Component |
|----------|--|
| 1 | AUTODOME 4000 Mini PTZ Dome Camera |
| 1 | Drilling Template for flush mount |
| 4 | 6 x 30 mm plastic anchors |
| 4 | #8 x 32 screws and attached O-rings |
| 4 | M4 x 12 Torx screws and attached O-rings |
| 1 | T20 Security Torx wrench |
| 1 | Installation Manual |

Technical specifications

Camera

| | |
|-----------------------------|---|
| Imager | 1/4" Double Scan Super HAD CCD II |
| Lens size | fW=3.49 ±0.17 mm fT=104.02 ±5.20 mm (30x +/- 10% Optical Zoom) |
| Effective Pixels | PAL: 976 (H) x 582 (V) NTSC: 976 (H) x 494 (V) |
| Horizontal Resolution | 720 TVL (NTSC, PAL) |
| Optical Zoom | 30x Effective Optical Zoom |
| Digital Zoom | 10x |
| Field of View (approximate) | 2.46° (TELE) to 69.5° (Wide) |
| Focus | Automatic with manual override |
| Signal-to-Noise Ratio (SNR) | >50 dB |
| White Balance | Auto, indoor, outdoor, one push |
| Minimum Illumination | 0.2 Lux/ F1.65 0.001 Lux/DSS 0.1 Lux/ICR |
| Iris Control | Auto |

| | |
|-------------------------------|------------------|
| Wide Dynamic Range (WDR) | On/Off |
| Dynamic Noise Reduction (DNR) | 3DNR |
| Privacy | 15 zones maximum |

Mechanical

| | |
|-------------------------|--|
| Weight | 1.5 kg (3.3 lb) |
| Pan Range | 360° continuous |
| Tilt Range | 0° to 180° (90° when 3D Privacy Masking is enabled) |
| Flip | Rotate 180° at bottom of tilt |
| Auto Scan | 8 Auto Scan modes including vector scan |
| Pre-position Speed | 360°/s |
| Preset Positions | 99 (Bosch OSRD); 210 (Pelco P/D) positions with camera status |
| Tours | 8 Tours (Preset, Pattern, Scan) |
| Patterns | 8 Patterns |
| On-Screen Display (OSD) | Camera ID, Title, Mode, and Angle (multi-language) |
| Multi-language OSD | English, Chinese, Dutch, French, German, Italian, Russian, Spanish |

Electrical

| | |
|---------------------|---|
| Power Supply | 24 VAC ± 10%, 50/60 Hz Built-in power line surge |
| Power Requirements | 24 VAC adapter, 1 A (2.5 A with heater) |
| Power Consumption | 24 VAC, 850 mA / 20 W (without heater) 24 VAC, 2A / 45 W (with heater) |
| Alarm Input | 4 normal dry contacts (selectable NC/NO) |
| Alarm Output | 1 normal relay 5 VDC / 40 mA maximum (selectable NC/NO) |
| Control | RS-485; baud rate: 2400-38.4 Kbps (default = 9600 bps) |
| Access Time | 0.75 second maximum preset recall time |
| Camera Address (ID) | Physical - 99 |

Environmental

| | |
|---|------|
| Ingress Protection Rating | IP66 |
| External Mechanical Impact (IK Code or Impact rating) | IK10 |

| | |
|-----------------------|--|
| Operating Temperature | -40 °C to +50 °C (-40 °F to +122 °F) Heater works automatically from -40 °C/°F to +10 °C (+50 °F) |
| Heater thermostat | On/Off at 0 °C to 10 °C (32 °F to 50 °F) |
| Installation Humidity | 80% relative humidity (RH) |
| Storage Temperature | -20 °C to +60 °C (-4 °F to +140 °F) |

Communications

| | |
|--------------------------|--|
| Camera Setup/Control | RS-485; Bosch Biphase with converter (sold separately) |
| Communications Protocols | Bosch, Pelco P/D; (Bosch Biphase to RS-485 converter (MIC-BP3), sold separately) |

Construction

| | |
|--------------------------|---|
| Housing Material | Cast aluminum |
| Color | White or Charcoal |
| Size (Diameter x Height) | Ø154 x 138 mm (H) (Ø 6.06 x 5.43 in.) |
| Bubble | Ø112 mm (Ø 4.41 in.) polycarbonate; clear or tinted |

Ordering information

AUTODOME 4000 Mini PTZ Dome 30x PAL camera, white, clear bubble
Order number **VEZ-413-EWCS**

AUTODOME 4000 Mini PTZ Dome 30x PAL camera, charcoal, clear bubble
Order number **VEZ-413-ECCS**

AUTODOME 4000 Mini PTZ Dome 30x PAL camera, white, tinted bubble
Order number **VEZ-413-EWTS**

AUTODOME 4000 Mini PTZ Dome 30x PAL camera, charcoal, tinted bubble
Order number **VEZ-413-ECTS**

AUTODOME 4000 Mini PTZ Dome 30x NTSC camera, white, clear bubble
Order number **VEZ-423-EWCS**

AUTODOME 4000 Mini PTZ Dome 30x NTSC camera, charcoal, clear bubble
Order number **VEZ-423-ECCS**

AUTODOME 4000 Mini PTZ Dome 30x NTSC camera, white, tinted bubble
Order number **VEZ-423-EWTS**

AUTODOME 4000 Mini PTZ Dome 30x NTSC camera, charcoal, tinted bubble
Order number **VEZ-423-ECTS**

Accessories

UPA-2450-50 Power Supply, 220 V, 50 Hz
Indoor, 220 VAC, 50 Hz In; 24 VAC, 50 VA Out
Order number **UPA-2450-50**

UPA-2450-60 Power Supply, 120 V, 60 Hz
Indoor, 120 VAC, 60 Hz In; 24 VAC, 50 VA Out
Order number **UPA-2450-60**

MIC-BP3 Biphase Converter
Biphase converter for IR power supplies or non-IR power supplies without a free expansion slot available
Order number **MIC-BP3**

VIP-X1XF
H.264 dual-stream 1-channel encoder, VCA ready
Order number **VIP-X1XF**

VEZ-A4-IC VEZ-400 IN-CEILING MOUNT
Order number **VEZ-A4-IC**

VGA-IC-SP In-ceiling Support Kit
Suspended ceiling support kit for FLEXIDOME cameras (requires VDA-PLEN-DOME kit).
Order number **VGA-IC-SP**

AUTODOME 4000 Pipe Mount, Charcoal
Order number **VEZ-A4-PC**

AUTODOME 4000 Pipe Mount, White
Order number **VEZ-A4-PW**

AUTODOME 4000 Wall Mount, Charcoal
Order number **VEZ-A4-WC**

AUTODOME 4000 Wall Mount, White
Order number **VEZ-A4-WW**

VDA-CMT-PTZDOME Corner Mount Adapter
Corner mount adapter for use with the appropriate wall mount for indoor or outdoor pole (mast) applications
Order number **VDA-CMT-PTZDOME**

VDA-POMT-PTZDOME Pole Mount Adapter for AUTODOME 4000 / 5000
Pole mount adapter for use with the appropriate wall mount for indoor and outdoor applications.
Order number **VDA-POMT-PTZDOME**

LTC 9213/01 Pole Mount Adapter
Pole mount adapter with stainless steel straps, light gray finish
Order number **LTC 9213/01**

Represented by:

Americas:

Bosch Security Systems, Inc.
130 Perinton Parkway
Fairport, New York, 14450, USA
Phone: +1 800 289 0096
Fax: +1 585 223 9180
security.sales@us.bosch.com
www.boschsecurity.us

Europe, Middle East, Africa:

Bosch Security Systems B.V.
P.O. Box 80002
5617 BA Eindhoven, The Netherlands
Phone: + 31 40 2577 284
Fax: +31 40 2577 330
emea.securitysystems@bosch.com
www.boschsecurity.com

Asia-Pacific:

Robert Bosch (SEA) Pte Ltd, Security
Systems
11 Bishan Street 21
Singapore 573943
Phone: +65 6571 2808
Fax: +65 6571 2699
apr.securitysystems@bosch.com
www.boschsecurity.asia

China:

Bosch (Shanghai) Security Systems Ltd.
203 Building, No. 333 Fuquan Road
North IBP
Changning District, Shanghai
200335 China
Phone +86 21 22181111
Fax: +86 21 22182398
www.boschsecurity.com.cn

America Latina:

Robert Bosch Ltda Security Systems Division
Via Anhanguera, Km 98
CEP 13065-900
Campinas, Sao Paulo, Brazil
Phone: +55 19 2103 2860
Fax: +55 19 2103 2862
latam.boschsecurity@bosch.com
www.boschsecurity.com