

## 2-POST OPEN FRAME RACK



### APPLICATION

Designed for use in network, server, and telecommunication rooms, 2-Post Open Frame Racks satisfy basic functional requirements for structuring cable. Racks are available in 3-in. or 6-in. column widths.

### FEATURES

- Range of heights from 4 ft. to 9 ft. (24U to 58U) to match capacity requirements; 19-in. Rack Packages are 7-ft. high
- Side rails are tapped on both sides with 12-24UNC threads for quick installation
- EIA Universal 5/8 in. - 5/8 in. - 1/2 in. vertical mounting hole pattern matches industry standards
- RU markings on both front and back of uprights make it easier to mount equipment
- Packed unassembled in individual cartons; assembly hardware (including twenty 12-24 mounting screws) is furnished for convenient storage and installation
- Convenient rack and cable manager packages offered with either one or two 6-in. cable managers; includes one-piece hinged cover

### SPECIFICATIONS

- Frame is a strong and lightweight aluminum (6063-T6 alloy), extruded or formed, with RU markings on both front and back of uprights

### FINISH

RAL 9005 black polyester powder paint or milled aluminum or RAL 9003 white polyester powder paint finish

### LOAD RATING

Do not exceed the following recommended load ratings.

- Floor Mount Rack - 1000 lb. (453.6 kg)
- One-Sided Solid Shelf - 150 lb. (68.0 kg)
- Double-Sided Shelf - 300 lb. (136.1 kg)
- One-Sided Vented Shelf - 150 lb. (68.0 kg)
- Double-Sided Vented Shelf - 300 lb. (136.1 kg)
- Adjustable Vented Shelf - 60 lb. (27.2 kg)
- Keyboard/Monitor Shelf - 200 lb. (90.7 kg)

### INDUSTRY STANDARDS

UL 2416 Listed; File No. E230874  
cUL Listed per CSA C22.2 No. 182.4; File No. E230874

EIA 310-D

### BULLETIN: DMAX, DOFR2

### Standard Product 3-in. Column

Catalog Number	AxBxC in.	AxBxC mm	Description	Finish	Rack Units	Nominal Frame Height
EDR19FM24U	48.00 x 20.25 x 15.00	1219 x 514 x 381	19-in. rack	Black	24	4 ft.
EDR19FM38U	72.00 x 20.25 x 15.00	1829 x 514 x 381	19-in. rack	Black	38	6 ft.
EDR19FM45U	84.00 x 20.25 x 15.00	2134 x 514 x 381	19-in. rack	Black	45	7 ft.
EVR19FM45U	84.00 x 20.25 x 15.00	2134 x 514 x 381	19-in. rack	Mill	45	7 ft.
EWR19FM45U	84.00 x 20.25 x 15.00	2134 x 514 x 381	19-in. rack	White	45	7 ft.
EDR19FM51U	96.00 x 20.25 x 15.00	2438 x 514 x 381	19-in. rack	Black	51	8 ft.
EVR19FM51U	96.00 x 20.25 x 15.00	2438 x 514 x 381	19-in. rack	Mill	51	8 ft.
EDR19FM58U	108.00 x 20.25 x 15.00	2743 x 514 x 381	19-in. rack	Black	58	9 ft.
EVR19FM58U	108.00 x 20.25 x 15.00	2743 x 514 x 381	19-in. rack	Mill	58	9 ft.
EDR23FM24U	48.00 x 24.25 x 15.00	1219 x 616 x 381	23-in. rack	Black	24	4 ft.
EDR23FM38U	72.00 x 24.25 x 15.00	1829 x 616 x 381	23-in. rack	Black	38	6 ft.
EDR23FM45U	84.00 x 24.25 x 15.00	2134 x 616 x 381	23-in. rack	Black	45	7 ft.
EVR23FM45U	84.00 x 24.25 x 15.00	2134 x 616 x 381	23-in. rack	Mill	45	7 ft.
EDR23FM51U	96.00 x 24.25 x 15.00	2438 x 616 x 381	23-in. rack	Black	51	8 ft.
EVR23FM51U	96.00 x 24.25 x 15.00	2438 x 616 x 381	23-in. rack	Mill	51	8 ft.

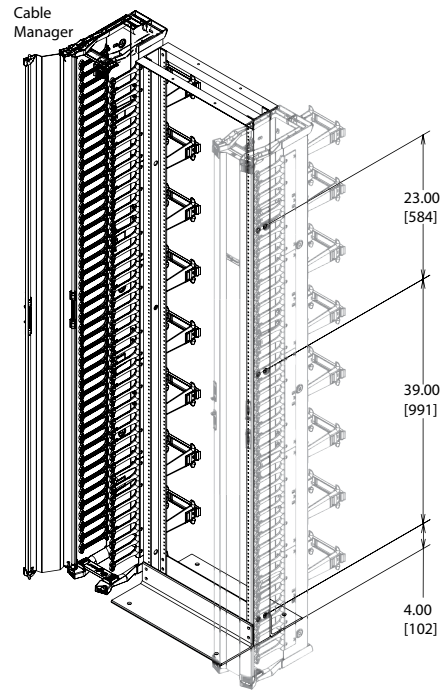
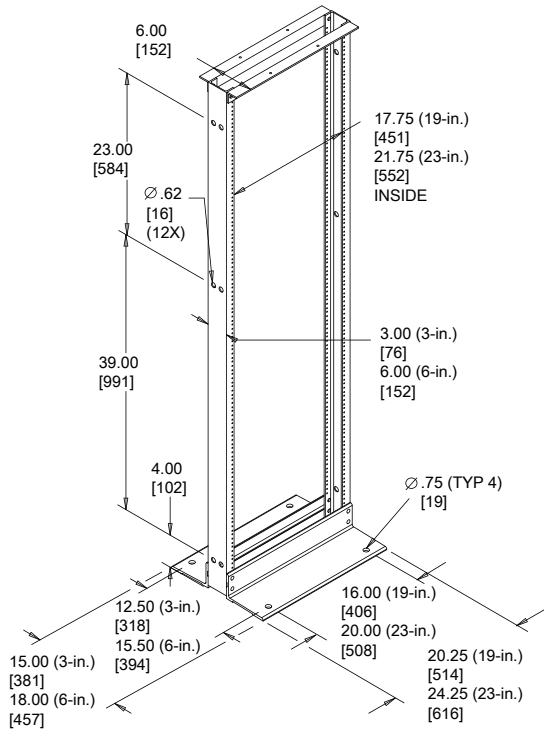
### Standard Product 3-in. Column with Cable Manager

Catalog Number	AxBxC in.	AxBxC mm	Description	Finish	Rack Units	Nominal Frame Height
EDR19FM45UCM1	84.00 x 27.50 x 18.00	2134 x 699 x 457	19-in. rack package, 1 cable manager, DV6D7	Black	45	7 ft.
EDR19FM45UCM2	84.00 x 34.75 x 18.00	2134 x 883 x 457	19-in. rack package, 2 cable managers, DV6D7	Black	45	7 ft.

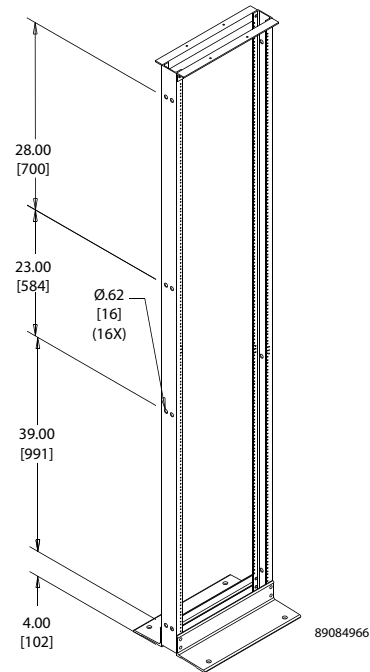
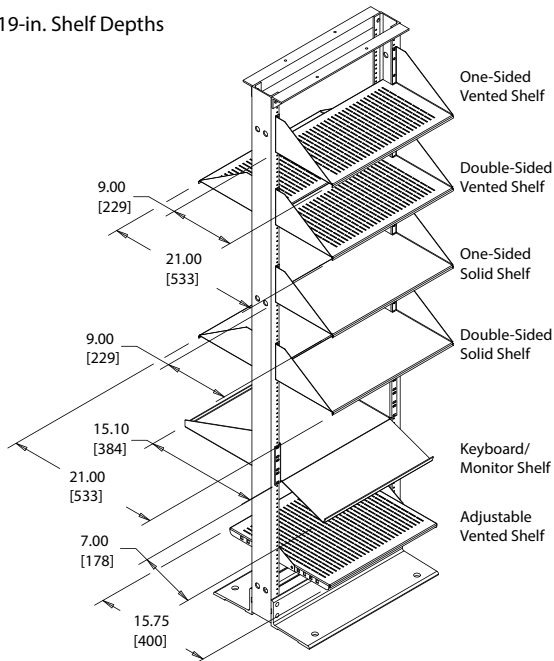
### Standard Product 6-in. Column

Catalog Number	AxBxC in.	AxBxC mm	Description	Finish	Rack Units	Nominal Frame Height
EDR19FM45U6	84.00 x 20.28 x 18.00	2134 x 515 x 457	19-in. rack	Black	45	7 ft.
EDR19FM51U6	96.00 x 20.28 x 18.00	2438 x 515 x 457	19-in. rack	Black	51	8 ft.

2-Post Rack Package  
(CABLETEK Vertical Cable Managers shown with alternate mounting location)

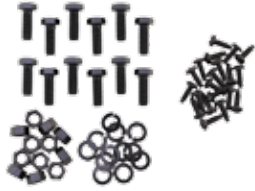


19-in. Shelf Depths



8-Foot and 9-Foot Racks Only  
(Width and Depth dimensions identical to 7-foot rack)

**2-POST OPEN FRAME RACK HARDWARE KIT**



Kit consists of (12) 3/8-16x1.00 hex head screws; (12) 3/8 split washers; and (12) 3/8-16 hex nuts.

**BULLETIN: DOFRY**

Standard Product

Catalog Number	Description
E2PKIT	2-Post Open Frame Rack hardware kit

**CONCRETE EXPANSION BOLT ANCHOR KIT**



**BULLETIN: DACCY**

Standard Product

Catalog Number	Description
ESBDK	(4) 3/8x3.75 expansion bolt kit

**Notes**