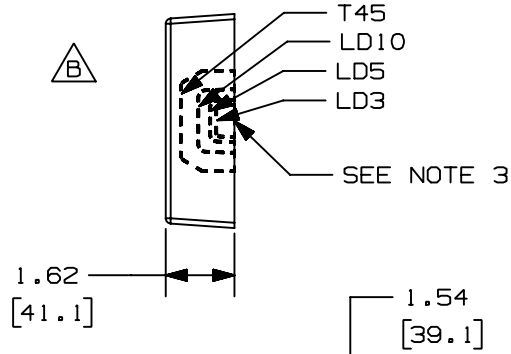
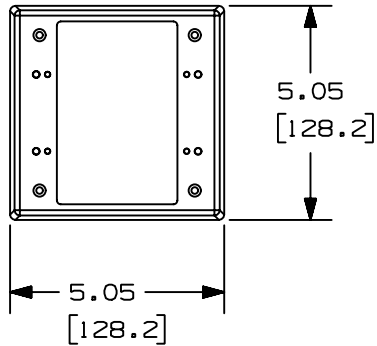


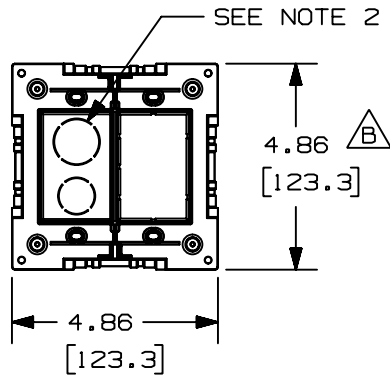
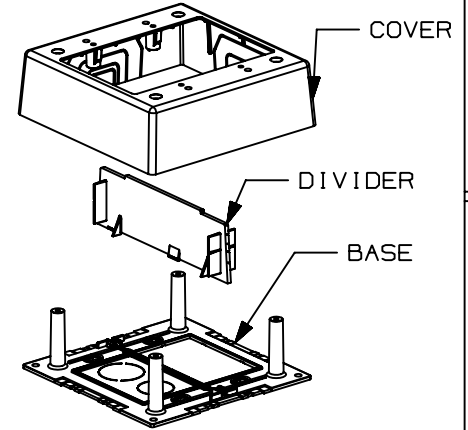
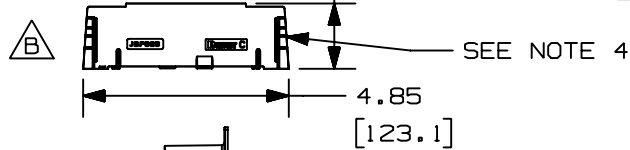
THIS COPY IS PROVIDED ON A RESTRICTED BASIS AND IS NOT TO BE USED IN ANY WAY DETRIMENTAL TO THE INTERESTS OF PANDUIT CORP.



| PANDUIT P/N | WEIGHT |
|-------------|----------------------------------|
| JBP2S | 2.7 LB/10 PCS (1210 g/10 PCS) |

NOTES:

1. SEE CURRENT CATALOG FOR ADDITIONAL PART SUFFIXES TO INDICATE COLOR AND OR PACKAGE QUANTITY.
2. CONCENTRIC BREAKOUTS TO ACCOMMODATE CONDUIT SIZES OF 1/2", AND 3/4" DIAMETERS.
3. BREAKOUTS ARE PROVIDED ON ALL FOUR SIDES OF COVER.
4. DIVIDER PROVIDES POWER AND DATA SEPARATION IMMEDIATELY FROM RACEWAY.
5. DIMENSIONS IN PARENTHESES ARE IN METRIC.



CAD FILENAME/LAYERS D35677BE_DC_JBP2S_02A.PRT

PANDUIT CORP. TINLEY PARK, ILLINOIS

PAN-WAY 2 GANG SHALLOW JUNCTION BOX WITH DIVIDER WALL (JBP2S) CUSTOMER DRAWING

UNLESS OTHERWISE SPECIFIED, DIMENSIONAL TOLERANCES ARE:
(.X) ± (.XXX) ±
(.XX) ±.03 (.8) ANGLES ±

UNLESS OTHERWISE SPECIFIED, ALL DIMENSIONS ARE GIVEN IN INCHES, THIRD ANGLE PROJECTION.

| REV | DATE | BY | CHK | DESCRIPTION | ECN | CHK | CUST | SUP |
|-----|----------|------|-----|--------------------------------------|----------|-----|------|-----|
| 2 | 01-12-00 | JHNU | HIW | B. REVISED GEOMETRY FOR T45 BREAKOUT | 35677-05 | HIW | HIW | |
| 1 | 12-21-98 | DW | HIW | A. MATERIAL WAS ABS/PC. | 35677-05 | HIW | HIW | |
| R | 10-28-97 | DW | HIW | RELEASED TO PRODUCTION. | 35677-05 | HIW | HIW | |

| | | | |
|-------------------|---|-------------------------|-----------|
| DRAWN BY DW | MAT'L: BASE= PVC COVER= PVC DIVIDER= POLYSTYRENE | SCALE NONE | DWG A |
| DATE 10-28-97 | | DRAWING NO. 35677-05 | SIZE A |
| CHECKED BY HIW | | | |