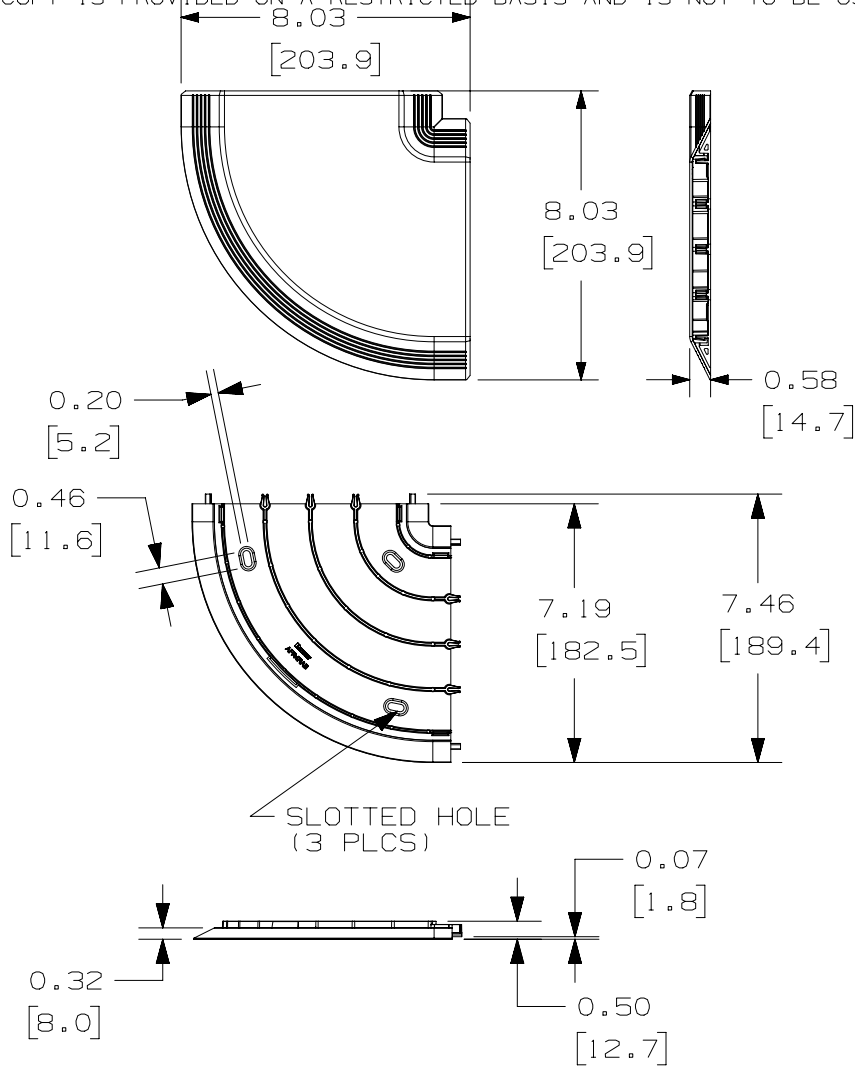
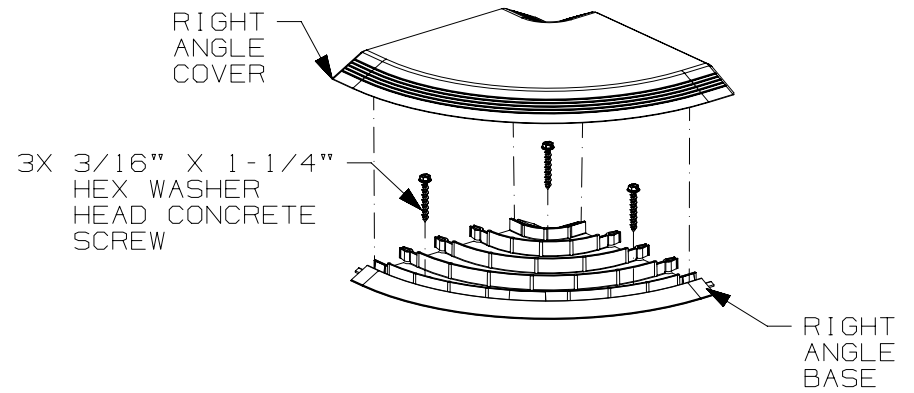


THIS COPY IS PROVIDED ON A RESTRICTED BASIS AND IS NOT TO BE USED IN ANY WAY DETRIMENTAL TO THE INTERESTS OF PANDUIT CORP.



NOTES:

- VISIT OUR ON-LINE CATALOG AT WWW.PANDUIT.COM FOR A LIST OF CURRENT PARTS APPLICABLE FOR USE WITH THIS PRODUCT.
- DIMENSIONS IN [] ARE METRIC.
- WEIGHT: 0.5-1b (0.23-kg)
- PART INCLUDES:
 - 1- ABOVE FLOOR RACEWAY 4-CHANNEL RIGHT ANGLE BASE
 - 1- ABOVE FLOOR RACEWAY 4-CHANNEL RIGHT ANGLE COVER
 - 4- 3/16" X 1-1/4" HEX WASHER HEAD CONCRETE SCREW
- RoHS COMPLIANT, UL 94V-0 MATERIAL
- THIS PRODUCT IS INTENDED TO JOIN SECTIONS OF ABOVE FLOOR RACEWAY TO MAKE HORIZONTAL 90° (RIGHT ANGLES).



PART NUMBER		AFR4RA**		
TITLE				
ABOVE FLOOR RACEWAY 4-CHANNEL RIGHT ANGLE FITTING				
CUSTOMER DRAWING				
ITEM REVISION NAME		00064EAB/00		
DATASET FILE NAME		00064EAB_DC/000		
MATERIAL		PVC		
DRAWING NUMBER		00064EAB-DC		
DRAWN BY		DATE	CHK	SCALE
BJN		8-22-17	ROJC	NONE
SHEET 1 OF 1		SIZE		
A		A		

A-SIZE CUSTOMER

00D	5-27-22	BJN	BSN	TAM	REMOVED COLOR TABLE	M09000QH
00C	12-28-21	BJN	ROJC	MMR	REMOVED IW COLOR REVISED & REDRAWN PREVIOUS REVISIONS REMVD FOR CLARITY	M09000PF
REV	DATE	BY	CHK	APR	DESCRIPTION	ECN