



MC3 - 125 A

MC3 - 125 A, Three-phase current transformers

Code: M73122.

- > Usefull diam.(mm): 14,6
- > System: Three-phase
- > Class 0,5 Power (VA): 0,1
- > Max. Current (A): 125

Description

Current transformers specifically designed to be installed above a switch:

- Transformer range from 63 to 250 A
- Secondary 250 mA
- Compatible with **CIRCUITOR**'s MC range of products: **CVM-MINI, CVM-NET, CVM-NET4, CVM-C, CVM-B, CDP-0, CDP-G**

Application

Installation in confined spaces, utilizing the space above the circuit breakers and earth leakage protection In installations that allow the power supply to be shut down for the installation of transformers.



MC3 - 125 A

Three-phase efficient current transformers

Code: M73122.

Specifications

Electrical characteristics

Safety factor (SF)	FS 5
Power	0.1 VA (Class 0,5)
Insulation voltage between terminals S1-S2	3 kV

Mechanical characteristics

Size (mm) width x height x depth	88.5 x 25.2 x 41 (mm)
Envelope	Plastic V0 self-extinguishing
Weight (kg)	0,138

Environmental characteristics

Thermal Class	Class B (+130 °C)
Protection class	IP 20

Specific technical characteristics of current sensors

Inner diameter Ø (mm)	14,6
Operating voltage	0,72 kV~ máx.

Current measurement circuit

Nominal frequency	50 / 60 Hz
Primary current measurement	125 A
Dynamic current (I _{dyn})	2,5 I _{th}
Thermal short-circuit current (I _{th})	60 I _n
Transformation ratio	... / 250 mA

Standards

Standards	IEC 60044-1
-----------	-------------

Measurement accuracy

Accuracy	Clase 0,5
----------	-----------



MC3 - 125 A

Three-phase efficient current transformers

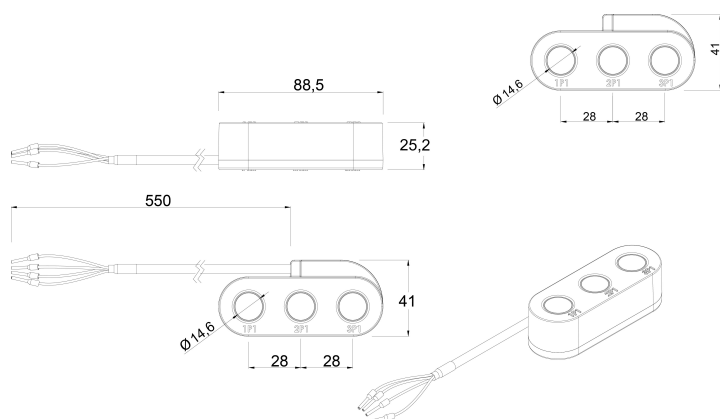
Code: M73122.

MC3
Three-phase current transformers

CODE	TYPE	Max. Current (A)	Class 0,5 Power (VA)	Useful diam.(mm)	System
M73121.	MC3 - 63 A	63	0,1	7,1	Three-phase
M73122.	MC3 - 125 A	125	0,1	14,6	Three-phase
M73123.	MC3 - 250 A	250	0,1	26	Three-phase

The MC/SC3 transformers with a 250 mA output are only compatible with CVM NET-MC, CVM-A, CVM-B, CVM-E3-MINI and CVM-C units.

Dimensions



Connections

