



CVM-E3-MINI-ITF-WiEth

CVM-E3-MINI-ITF-WiEth, DIN rail three-phase power analyser

Code: M56470.

- > Protocol: Modbus/TCP
- > Communications: Ethernet | Wi-Fi | Bluetooth
- > Harmonics: 31
- > Power supply (Vac): 90...264 Vac/Vdc
- > Input current: .../5 A | .../1 A
- > Mounting: DIN rail

Description

Three-phase electrical network analyser (balanced and unbalanced) for DIN rail mounting and panel option with 72x72 adapter, with measurements in 4 quadrants.

Other features are:

- Current measurement with ITF measuring transformers .../5 A,.../1A, **MC** transformers .../250 mA and **FLEX-MAG** clamps
- With ITF technology: ITF galvanic insulation protection
- DIN rail format with only 3 modules
- High contrast backlit display
- 72x72 mm panel mounting with front adapter
- Ethernet, Wi-Fi and Bluetooth® communications
- Configuration of communications on the App (MyConfig) and on the website.
- Sealable terminal cover
- Display of voltage and current harmonics up to 31°

Application

- Control application in switchboards and low and medium voltage connections where there is a need for an analyser on the DIN rail.
- Instantaneous data capture, maximum and minimum levels of electrical parameters measured.
- Installation with Ethernet cable (RJ-45)
- Installation without the need for communications wiring in facilities that have a Wi-Fi network.



CVM-E3-MINI-ITF-WiEth

Three-phase power analyzer for DIN rail, Wi-Fi

Code: M56470.

Specifications

AC power supply

Installation category	CAT III 300 V
Consumption	3,5 VA
Frequency	50...60 Hz
Nominal voltage	207...253 Vc.a.

Mechanical characteristics

Size (mm) width x height x depth	52.5 x 118 x 74 (mm)
Envelope	Self-extinguishing V0 plastic
Cable gauge at power supply terminals	1 mm ² (min)
Cable gauge at voltage terminals	mín. 1 mm ²
Fastening	DIN rail
Weight (kg)	0,25

Environmental characteristics

Protection class	IP 30 / Front: IP 40
Relative humidity (without condensation)	5...95%
Storage temperature	-10 ... +50 °C
Operating temperature	-5 ... +45 °C

Current measurement circuit

Installation category	CAT III 300 V
Nominal current (In)	.../5 A or .../1 A
Phase current measuring range	2...120% In
Maximum input current consumption	0,9 VA
Minimum current measurement	0,2 % In

Voltage measurement circuit

Installation category	CAT III 300 V
Input impedance	400 kΩ
Frequency measuring range	45...65 Hz
Nominal voltage	300V Ph-N, 520V Ph-Ph
Minimum measurement voltage (Vstart)	11 V Ph-N

Communications

Protocol	ModBus TCP/IP
----------	---------------

Standards

Electrical safety, Maximum height (m)	2000
Standards	IEC 61010-1, IEC 61010-2-030, IEC 61326-1, IEC 61557-12 , UL94



CVM-E3-MINI-ITF-WiEth

Three-phase power analyzer for DIN rail, Wi-Fi

Code: M56470.

User interface

LED	2 LED
Keyboard	3 keys
Display type	LCD Custom COG

Measurement accuracy

Frequency measurement	0.5 %
Phase current measurement	0.5 % \pm 1 digit
Apparent power measurement (kVA)	0.5 % \pm 2 digit
Phase voltage measurement	0.5% \pm 1 digit



CVM-E3-MINI-ITF-WiEth

Three-phase power analyzer for DIN rail, Wi-Fi

Code: M56470.

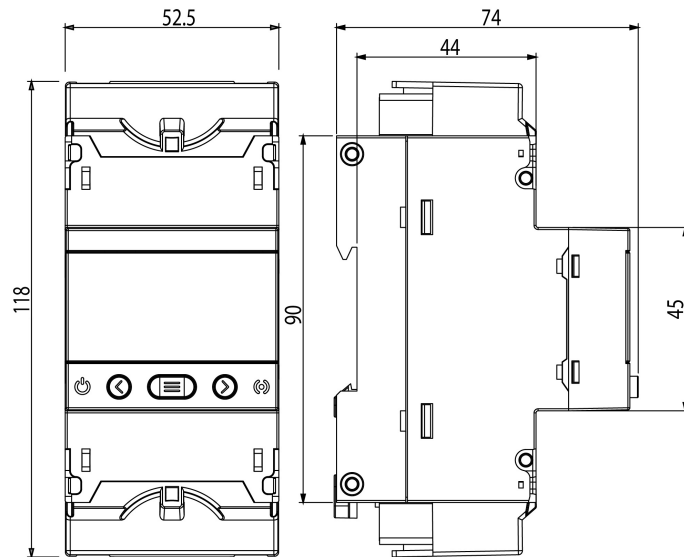
CVM-E3-MINI-WiEth

Power analyzer, three-phase DIN rail, wi-fi

CODE	TYPE	Input current	Communications	Protocol
M56470.	CVM-E3-MINI-ITF-WiEth	.../5 A .../1 A	Ethernet Wi-Fi Bluetooth	Modbus/TCP
M56480.	CVM-E3-MINI-MC-WiEth	.../250 mA	Ethernet Wi-Fi Bluetooth	Modbus/TCP
M56490.	CVM-E3-MINI-FLEX-WiEth	Rogowski	Ethernet Wi-Fi Bluetooth	Modbus/TCP

Bluetooth is built into every WiEth model, which can be set up using the free MyConfig app. RS-485 models, option to switch power supplies. Consult additional services

Dimensions



Connections

