



TX6000™ Headroom Performance Platform

The TX6000™ solution is a fully integrated system designed for optimum network performance and reliability. The solution provides end-users with assurance that the TX6000™ system will exceed the ANSI/TIA-568-C.2 Category 6 standard relative to the following key electrical parameters: Insertion Loss, Near-End Crosstalk (NEXT) Power Sum NEXT, ACR, Power Sum ACR, and Return Loss.

To determine the guaranteed headroom performance shown below, over 100 channels were constructed, tested, and analyzed.

- These channels consisted of three and four connector topologies – in both short and long cabling runs – to ensure true worst-case conditions
- Testing was conducted at swept frequencies from 1 MHz to 250 MHz per industry standards
- The testing represents “real world” conditions through the use of an industry recognized hand-held tester, not test analyzers or computer models

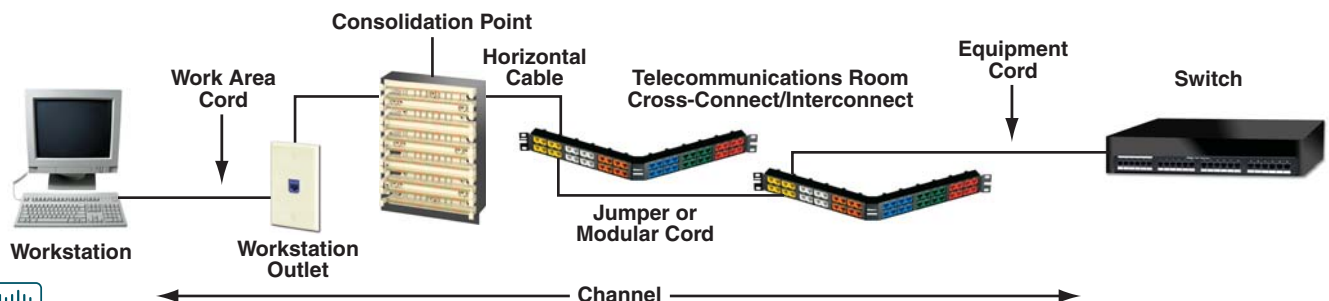
System Components	
Horizontal Cable	TX6000™ U/UTP Cable
Work Area	Mini-Com® TX6™ PLUS Jack Module
Telecommunications Room	DP6™ PLUS Patch Panel Mini-Com® TX6™ PLUS Jack Module
Consolidation Point	GP6™ PLUS Punchdown System
Patch Cords	TX6™ PLUS Patch Cords

Guaranteed Channel Headroom	
Electrical Value	Over Standard (dB*)
Insertion Loss	5.0%
NEXT	6.0dB
PSNEXT	7.5dB
ACR-N	7.0dB
PSACR-N	9.0dB
ACR-F	7.0dB
PSACR-F	9.0dB
Return Loss	2.0dB

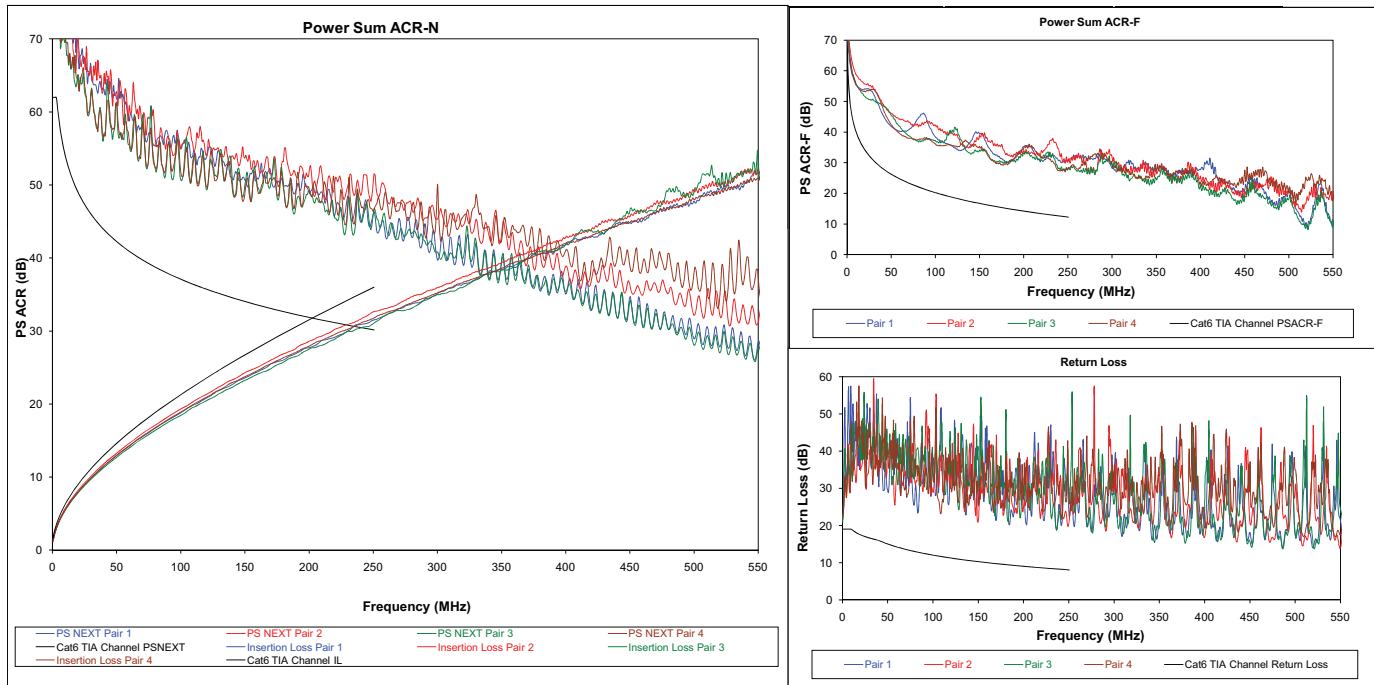
Applications	
1000BASE-T	1.2 Gb/s ATM, 622 Mb/s ATM, 155 Mb/s ATM
1000BASE-TX	Token Ring 4/16
100BASE-TX	TP-PMD
10BASE-TX	Future applications intended for Category 6 cabling

Standard Compliance	
ISO 11801	
ANSI/TIA-568-C.2	
TIA-569-B	
ANSI/TIA-606-A	

In order to ensure headroom performance, all systems must be installed per applicable standards by a Panduit Certified Installer.



TX6000™ Headroom Performance Platform



TX6000™ Solution Part Numbers

Cable Type	Part Number	Description
Category 6 U/UTP Riser	PUR6004*-UY	High-performance Category 6 riser (CMR cable with separator). Conductors are 23 AWG construction. ETL tested and verified for Category 6 performance.
Category 6 U/UTP Plenum	PUP6004*-UY	High-performance Category 6 plenum (CMP cable with separator). Conductors are 23 AWG construction. ETL tested and verified for Category 6 performance.

*Available in Black (BL), Blue (BU), Green (GR), International Gray (IG), Orange (OR), Red (RD), Violet (VL), White (WH) and Yellow (YL).

Work Area	Part Number	Description
Mini-Com® TX6™ PLUS Jack Module	CJ688TGIW**	Category 6, RJ45, 8-position, 8-wire universal module.
TX6™ PLUS Patch Cord	UTPSP***Y	Category 6 patch cord with TX6™ PLUS Modular Plug on both ends.

**See catalog for available colors.

***For lengths 3' to 20' (increments of 1') 25', 30', 35' and 40' change the length in the part number to the desired length.

Telecommunications Room	Part Number	Description
DP6™ PLUS Flat Patch Panel	DP24688TGY	Category 6, 24-port, flat punchdown patch panel.
DP6™ PLUS Flat Patch Panel	DP48688TGY	Category 6, 48-port, flat punchdown patch panel.
DP6™ PLUS Angled Patch Panel	DPA24688TGY	Category 6, 24-port, angled punchdown patch panel.
DP6™ PLUS Angled Patch Panel	DPA48688TGY	Category 6, 48-port, angled punchdown patch panel.

Consolidation Point	Part Number	Description
GP6™ PLUS Punchdown System	GPKBW24Y	Category 6, punchdown termination kit.

WORLDWIDE SUBSIDIARIES AND SALES OFFICES

PANDUIT CANADA
Markham, Ontario
cs-cdn@panduit.com
Phone: 800.777.3300

PANDUIT EUROPE LTD.
London, UK
cs-emea@panduit.com
Phone: 44.20.8601.7200

PANDUIT SINGAPORE PTE. LTD.
Republic of Singapore
cs-ap@panduit.com
Phone: 65.6305.7575

PANDUIT JAPAN
Tokyo, Japan
cs-japan@panduit.com
Phone: 81.3.6863.6000

PANDUIT LATIN AMERICA
Guadalajara, Mexico
cs-la@panduit.com
Phone: 52.33.3777.6000

PANDUIT AUSTRALIA PTY. LTD.
Victoria, Australia
cs-aus@panduit.com
Phone: 61.3.9794.9020

For a copy of Panduit product warranties, log on to www.panduit.com/warranty

For more information

Visit us at www.panduit.com

Contact Customer Service by email: cs@panduit.com
or by phone: 800-777-3300 and reference COFL05

PANDUIT®

©2011 Panduit Corp.
ALL RIGHTS RESERVED.

WW-COFL05

Replaces SA-COFL01

11/2011