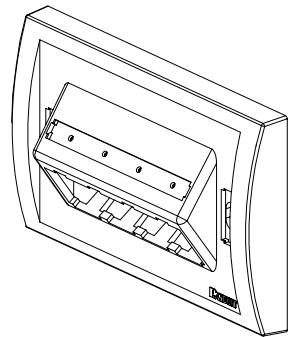
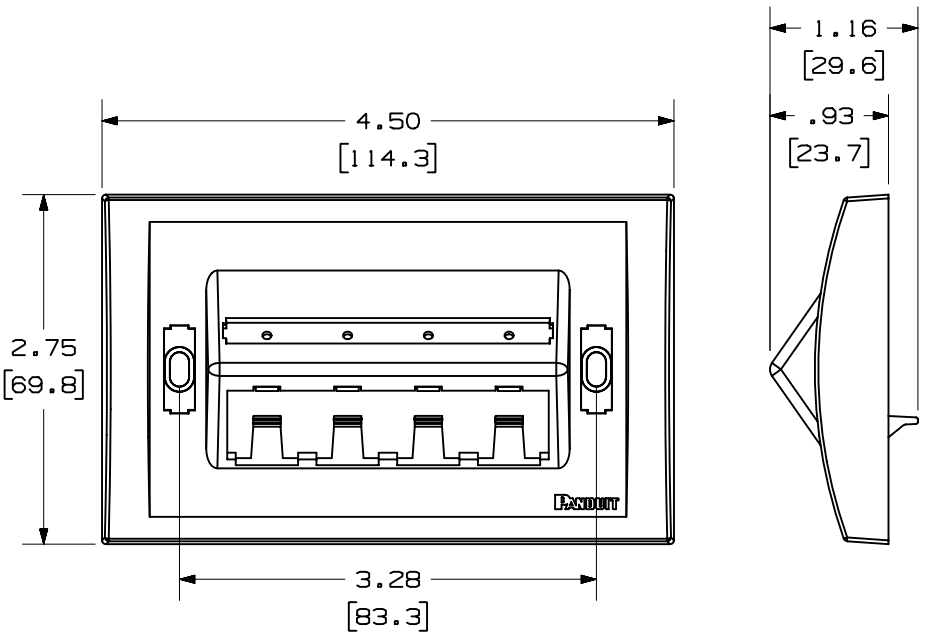


THIS COPY IS PROVIDED ON A RESTRICTED BASIS AND IS NOT TO BE USED IN ANY WAY DETRIMENTAL TO THE INTERESTS OF PANDUIT CORP.

PANDUIT P/N	WEIGHT
UICFPHSE4**	.68 LB/10 PCS (309.0 g/10 PCS)

NOTES:

- SEE CURRENT CATALOG FOR ADDITIONAL PART NUMBER SUFFIXES TO INDICATE COLOR AND OR PACKAGE QUANTITY.
- SEE CATALOG FOR COMPLETE LIST OF PARTS APPLICABLE FOR USE WITH THIS PART.
- DIMENSIONS IN PARENTHESES ARE IN METRIC.
- PART INCLUDES:  
 1- FACEPLATE  
 1- CLEAR SCREW COVER  
 1- COLOR COORDINATED SCREW COVER  
 1- CLEAR LABEL COVER  
 2- MOUNTING SCREW



MODEL FILENAME	M01288BD_UICFPHSE4_03.PRT	SIZE	A
DRAWING FILENAME	M01288BD_DC_03A.PRT		

MINI-COM™ ULTIMATE ID™ 4 POSITION  
HORIZONTAL SLOPED EXECUTIVE SERIES  
FACEPLATE CUSTOMER DRAWING

<p>PANDUIT™ CORP. TINLEY PARK, ILL 60477</p>	1.1. NUMBER	N/A
	PRODUCT SPEC	N/A
	WORK INSTRUCTION	N/A
	SCALE	NONE
<p>THIRD ANGLE PROJECTION</p>	ALL DIMENSIONS ARE GIVEN IN INCHES, UNLESS OTHERWISE SPECIFIED. DIMENSIONAL TOLERANCES ARE: (.X) ± (.XXX) ± .010(.3) (.XX) ± .031(.8) ANGLES ±	PART NO. UICFPHSE4**
DRAWN BY JsP	REVIEW DRAWING NUMBERS MATERIAL: ABS	DRAWING NO. 01288-10

R	7-24-02	JsP	RELEASED TO PRODUCTION	01288-10														
REV	DATE	BY	CHK	DESCRIPTION	ECN	R	CUST	SUP	OTH	CHK'D								