

Complete Grounding Solution

- Complies with the “Telecommunications Infrastructure Standard for Data Centers” as described in TIA-942
- Maximizes uptime, maintains system performance, and protects network equipment
- Provides a dedicated, low resistance, and visually verifiable ground system
- Flexible design for use on EIA-310-D compliant racks

*New Installation
Back of Rack Shown*

Paint Piercing Grounding Washer Kit: RGW

Provides a superior bond between frame members, serrations eliminate the need to scrape paint



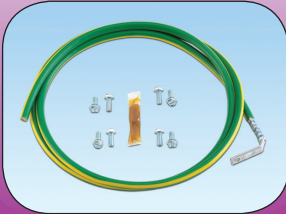
Electrostatic Discharge (ESD) Port Kit: RGEDS

Bent 45° acts as a hook to hold ESD wrist strap



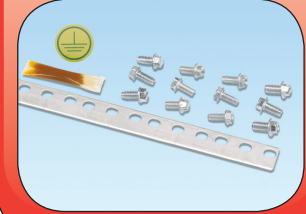
Equipment Jumper Kit: RGEJ

Bonds network equipment to the rack grounding strip or rack grounding busbar



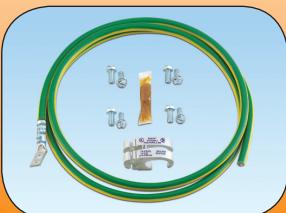
Rack Grounding Strip Kit: RGS

Thread-forming screws provide a bond between grounding strip and rack, eliminating the need to scrape paint



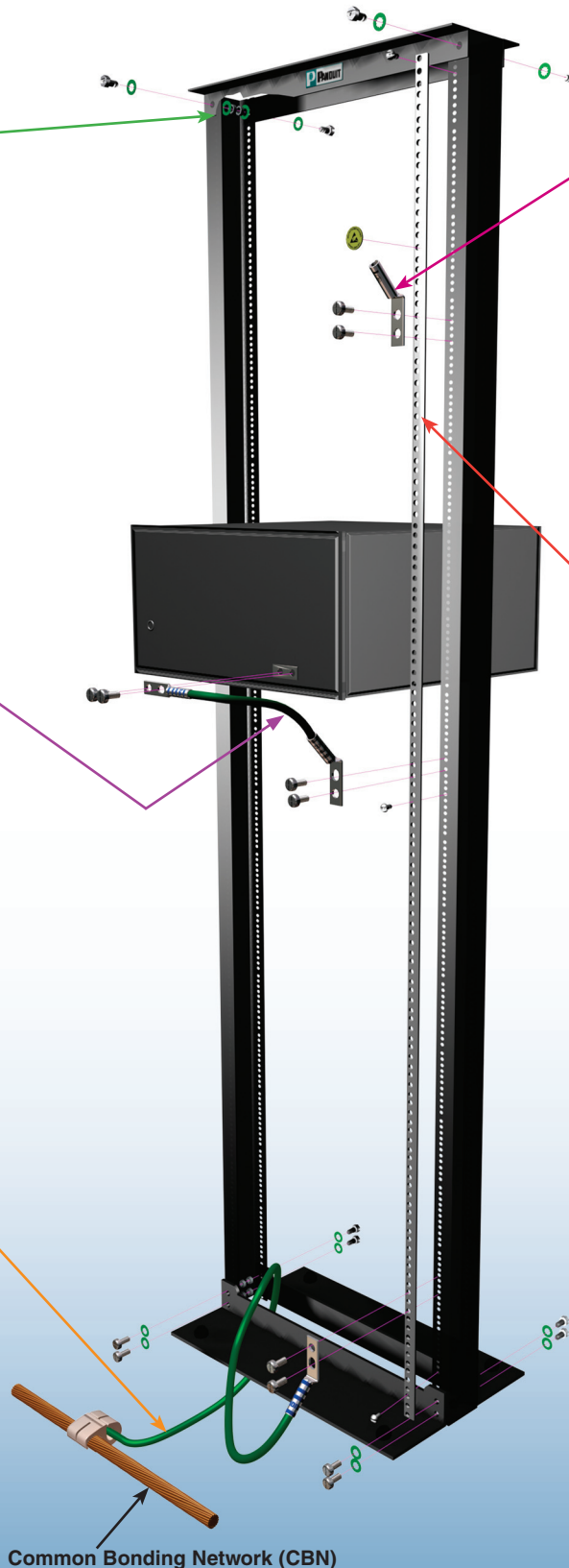
Common Bonding Network (CBN) Jumper Kit: RGCBNJ

Connects rack grounding strip or rack grounding busbar to CBN in underfloor and overhead grounding applications



Bonding Screw: RGTSB

Patent pending, bonds equipment and patch panels to the front of the rack; standard pack includes 100 pieces



STRUCTUREDGROUND™ Kits for Data Center Rack Grounding

Easy Selection Guide

For PANDUIT racks:

Simply find your rack part number and follow across.

For other commonly used racks, follow these two easy steps:

1. What type of installation do you have? Example: New Installation

2. What type of fasteners do your mounting rails require? Example: Threaded #12-24

Example shown in blue below.

Selection Criteria	Rack Grounding Strip Kit	ESD Port Kit (2 required)*	Grounding Busbar Kit	Common Bonding Network (CBN) Jumper Kit	Equipment Jumper Kit**	Bonding Screw	Paint Piercing Grounding Washer Kit	
PANDUIT Racks STRUCTUREDGROUND™ Kits for Data Center Rack Grounding								
2 Post Racks								
DR84, CMR19X84S New Installation	RGS134-1Y	RGESD2-1	—	RGCBNJ660PY	RGEJ657PFY	RGTBSG-C (#12-24)	Paint piercing grounding washers included with racks.	
DR84, CMR19X84S Retrofit Installation	—	RGESD2-1	RGRB19U	RGCBNJ660PY	RGREJ696Y	RGTBSG-C (#12-24)		
NFR84 New Installation	—	(1 each) RGESD-1Y and RGESD2-1	RGRB19U	RGCBNJ660PY	RGREJ696Y	RGTBSG-C (#12-24)		
NFR84 Retrofit Installation	—	(1 each) RGESD-1Y and RGESD2-1	RGRB19U	RGCBNJ660PY	RGREJ696Y	RGTBSG-C (#12-24)		
4 Post Racks								
CMR4P84 New Installation	RGS134-1Y	RGESD2-1	—	RGCBNJ660PY	RGEJ657PFY	RGTBSG-C	Paint piercing grounding washers included with racks.	
CMR4P84 Retrofit Installation	—	RGESD2-1	RGRB19U	RGCBNJ660PY	RGREJ696Y	RGTBSG-C		
CMR4P84CN New Installation	RGS134B-1	RGESD2B-1	—	RGCBNJ660PY	RGEJ657PFY	Bonding screws not required; kits include bonding studs.		
CMR4P84CN Retrofit Installation	—	RGESD2B-1	RGRB19CN	RGCBNJ660PY	RGREJ696Y			
Other Commonly Used Racks Including: PANDUIT CMR19X84^, CMR19X47^, CMR23X84^†, CMR19X26^								
		STRUCTUREDGROUND™ Kits for Data Center Rack Grounding						
1. Installation	2. Rail Fastener							
New Installation 45 RU	Threaded #12-24 or M6	RGS134-1Y	RGESD2-1	—	RGCBNJ660PY	RGEJ657PFY	RGTBSG-C (#12-24) or RGTBSM6G-C (M6)	RGW-24-1Y
	Threaded #10-32 or M5	RGS134-1Y	RGESD2A-1	—	RGCBNJ660PY	RGEJ657PFY	RGTBS1032G-C (#10-32) or RGTBSM5G-C (M5)	RGW-24-1Y
Retrofit Installation 19" wide	Threaded #12-24 or M6	—	RGESD2-1	RGRB19U	RGCBNJ660PY	RGREJ696Y	RGTBSG-C (#12-24) or RGTBSM6G-C (M6)	—
		—	RGESD2-1	RGRKCBNJY		RGREJ696Y	—	
	Threaded #10-32 or M5	—	RGESD2A-1	RGRB19U	RGCBNJ660PY	RGREJ696Y	RGTBS1032G-C (#10-32) or RGTBSM5G-C (M5)	—
		—	RGESD2A-1	RGRKCBNJY		RGREJ696Y	—	

The paint piercing grounding washers work with 3/8" (M8) hardware, for all other sizes, use the grounding solution for retrofit installations.

*ESD port recommended for use on front and back of rack.

**Additional equipment jumper kits available in different sizes with different termination options, refer to www.panduit.com. One equipment jumper kit is required per component.

†Racks require #12-24 rail fasteners.

‡Grounding kits are only available for new installations for 23" racks such as the PANDUIT CMR23X84 rack.



For more information or to request a catalog
www.panduit.com/pcsg06
 cs@panduit.com
 800-777-3300

For a copy of PANDUIT product warranties, log on to
www.panduit.com/warranty

©2006 PANDUIT Corp.
 ALL RIGHTS RESERVED.
 Printed in the U.S.A.
 SA-PCSG06
 8/2006