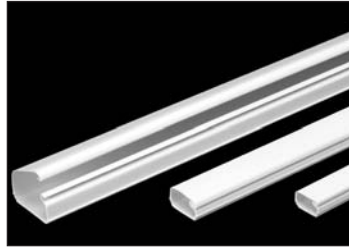


## specifications

LD non-metallic single channel, one-piece design, adhesive backed, hinged cover surface raceway, shall be used to route, protect, and conceal low voltage data, voice, and video cabling. The raceway will include a full complement of bend radius control (BRC) and standard fittings consisting of, but not limited to: elbows (internal and external), couplings for joining raceway sections, blank end fittings for closing open ends of the raceway, entrance end fittings, reducer fittings, and tee fittings. The BRC fittings shall incorporate a minimum 1" bend radius as recommended for Category 5e & 6 UTP and fiber optic cables, in TIA/EIA-568-B. LD raceway will be manufactured in 2 different lengths from impact resistant material with flammability rating of V-0. LD raceway finish shall be pure color and will resist scratches and dents and will not peel or corrode. LD raceway shall be available in three sizes and four standard colors and shall be optimized for use with the PANDUIT® PAN-NET® Communication System.



## technical information

|                       |  |
|-----------------------|--|
| <b>Material:</b>      | Rigid PVC  |
| <b>Flammability:</b>  | UL94V-0  |
| <b>Color:</b>         | Off White (IW), Electrical Ivory (EI), International Gray (IG), White (WH) |
| <b>CSI spec form:</b> | LP-CSISPEC-LD-1  |

## key features and benefits

|  |  |
|--|--|
| <b>Available 1" bend radius control fittings</b> | Cables in the raceway will satisfy the minimum 1" bend radius requirement, preventing the potential degradation of cable performance; meets TIA/EIA standard and many warranty requirements  |
| <b>One-piece hinged design</b>                   | Cables can be laid into the raceway, which speeds installation and prevents damage to cables   |
| <b>Adhesive backing for temporary mounting</b>   | Installations are easier and faster, reducing the total installed cost   |
| <b>Non-metallic construction</b>                 | Lightweight, which reduces installer fatigue and reduces labor required to install the raceway; solid color throughout will not chip, peel, rust or corrode; easy to cut with standard saws and saw blades, which reduces the need for special cutting devices |
| <b>Available in four colors</b>                  | Matches a wide variety of colors for various applications  |

## applications

PAN-WAY® LD Profile Raceway is a single channel raceway which provides solutions for routing low voltage, data and fiber optic

cabling along perimeter walls. LD profile raceway is available with standard and bend radius control fittings.

### PAN-WAY® LD Raceway

**Raceway:** LD\*IW\*\*-A

### LD Raceway Fittings

|   |            |
|---|------------|
| <b>Coupler fitting:</b>                   | CFX*IW-X   |
| <b>Inside corner fitting:</b>             | ICFC*IW-X  |
| <b>Outside corner fitting:</b>            | OCFC*IW-X  |
| <b>Right angle fitting:</b>               | RAFC*IW-X  |
| <b>End cap fitting:</b>                   | ECFX*IW-X  |
| <b>Tee fitting:</b>                       | TFC*IW-X   |
| <b>Four-way cross fitting:</b>            | CRFC5IW-X  |
| <b>Drop ceiling/entrance end fitting:</b> | DCF*IW-X   |
| <b>Right angle/entrance end:</b>          | RAEFXIW-X  |
| <b>LD5 to LD3 reducer fitting:</b>        | RFX53IW-X  |
| <b>LD10 to LD5 reducer fitting:</b>       | RFX105IW-X |
| <b>LD10 to LD3 reducer fitting:</b>       | RFX103IW-X |
| <b>Raceway installation tool:</b>         | LDW*-V     |
| <b>LD5 fire box adapter:</b>              | FBA5IW-X   |
| <b>LD10 fire box adapter:</b>             | FBA10IW-X  |

\* Insert raceway size of 3, 5, or 10

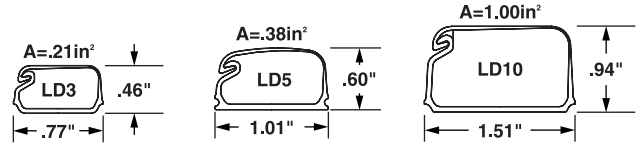
\*\* Insert raceway length of 6', 8' or 10'

All parts listed in Off White (IW) color. To order other colors substitute Electrical Ivory (EI), International Gray (IG), and White (WH).

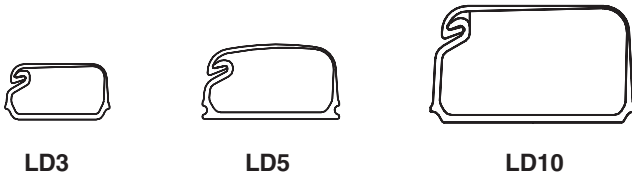
# PAN-WAY® LD Surface Raceway System

## Wire Fill

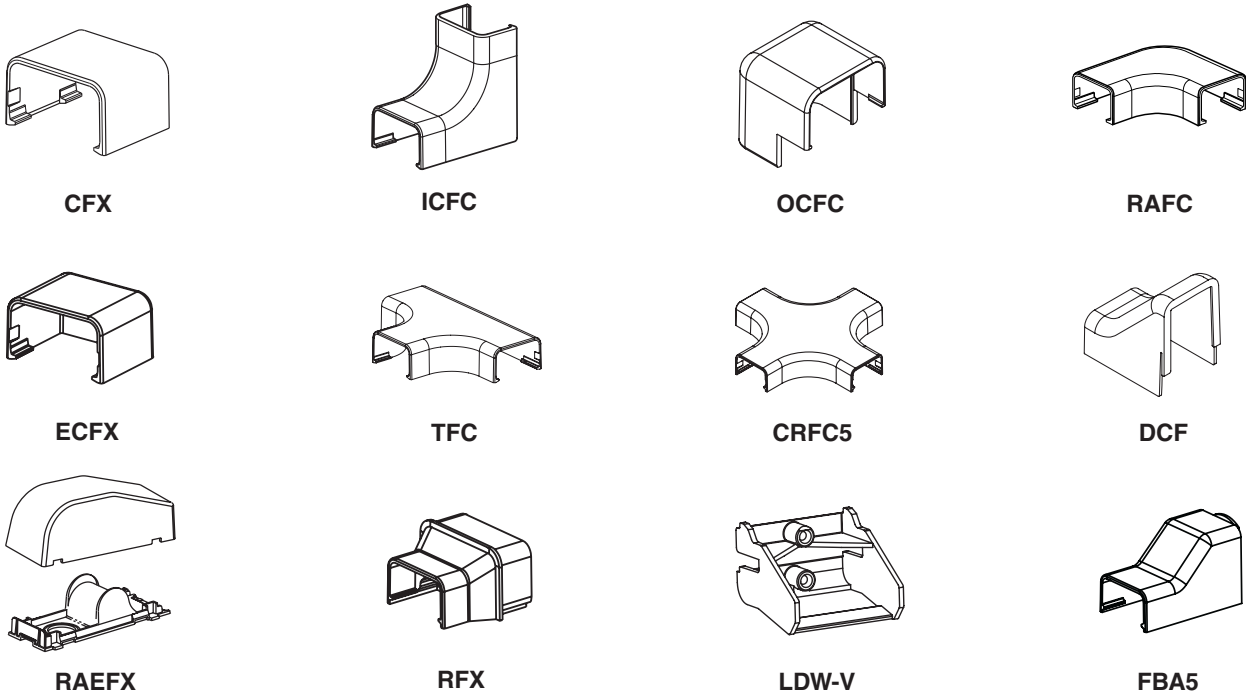
| Open Channel<br>40% Cable Fill Capacity |             |     |      |
|---|-------------|-----|------|
| Cable Type                              | # of Cables |     |      |
|   | LD3         | LD5 | LD10 |
| Cat 6 cables                            | 1           | 3   | 8    |
| Cat 5e cables                           | 2           | 4   | 10   |
| 2 strand Fiber Optic cable              | 4           | 6   | 16   |



## LD Raceway



## Fittings



### WORLDWIDE SUBSIDIARIES AND SALES OFFICES

PANDUIT CANADA  
Markham, Ontario  
Phone: 800.777.3300

PANDUIT EUROPE LTD.  
London, UK  
Phone: 44.208.601.7200

PANDUIT ASIA PACIFIC PTE. LTD.  
Republic of Singapore  
Phone: 65.6379.6700

PANDUIT JAPAN  
Tokyo, Japan  
Phone: 81.3.3767.7011

PANDUIT LATIN AMERICA  
Jalisco, Mexico  
Phone: 52.333.666.2501

PANDUIT AUSTRALIA PTY. LTD.  
Victoria, Australia  
Phone: 61.3.9794.9020

For a copy of PANDUIT product warranties, log on to [www.panduit.com/warranty](http://www.panduit.com/warranty)



For more information or to request a catalog

800-777-3300

[cs@panduit.com](mailto:cs@panduit.com)

[www.panduit.com](http://www.panduit.com)

Copyright © PANDUIT Corp. All rights reserved.

Printed in U.S.A.

WW-SRSP10

05/2004

replaces SA-SR04SP01A