

# Cisco^ 2 Post Rack Switch Brackets

## specifications

The brackets shall allow Cisco^ NK2 series switches, 5010, 5020, 5548, and 5596 series switches to be mounted in a conventional 2 post, 3 inch deep channel rack. The brackets shall be made of steel and consist of a 4-piece assembly for each switch to be mounted in the 2 post, 3 inch channel rack. The brackets shall take advantage of mounting locations on both sides of the three inch channel rack to ensure a secure mount for the switches.



## technical information

<b>Bracket part numbers and Cisco^ switches supported:</b>	R2P5010B R2P5020B R2PN2KB R2P5548B	Cisco^ 5010 Cisco^ 5020, Cisco^ 5596 Cisco^ N2K Cisco^ 5548
<b>Panduit rack compatibility:</b>	R2P, R2P96, R2P48, R2P79	
<b>Mounting hardware:</b>	Hardware is provided for secure attachment to 2 post racks and for bracket assembly	
<b>Material:</b>	14 gage steel, black powder coating	

## key features and benefits

<b>Maximizes RU usage</b>	Brackets consume no additional RU space
<b>Economical mounting option</b>	Allows deep switches to be used on economical 2 post, 3 inch channel racks
<b>Stable switch mount</b>	Brackets use both sides of the 3 inch channel for mounting stability

## applications

The Cisco^ switch bracket can be used in applications that require switch mounting in a conventional 2 post, 3 inch deep EIA compliant channel rack.

The brackets and the switches consume no more RU space on the rack than the switch alone. Conventional vertical and horizontal cable management can be used on the rack along with the brackets and the switches.

<sup>^</sup>Cisco is a registered trademark of Cisco Technology Inc.

### Cisco^ 2 Post Rack Switch Brackets

#### Cisco^ 5010 Switch

**Bracket set:** R2P5010B

#### Cisco^ 5020 and 5596 Switch

**Bracket set:** R2P5020B

#### N2K Series Switch

**Bracket set:** R2PN2KB

#### Cisco^ 5548 Switch

**Bracket set:** R2P5548B

### 2 Post 3 Inch Channel Racks Numbered U

**19" wide #12 – 24 threaded rail**

**52 RU:** R2P96

**19" wide #12 – 24 threaded rail**

**45 RU:** R2P

**19" wide #12 – 24 threaded rail**

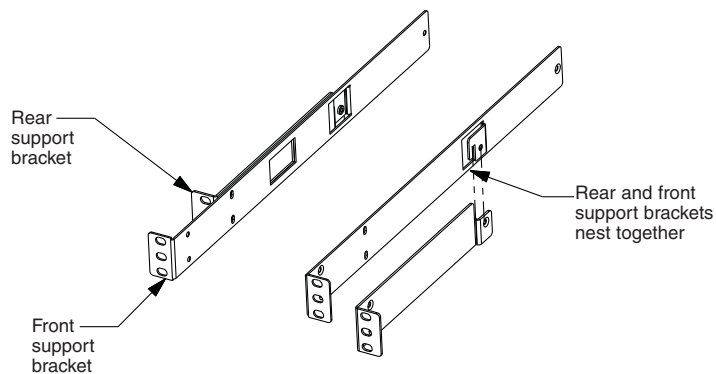
**24 RU:** R2P48

**19" wide #12 – 24 threaded rail**

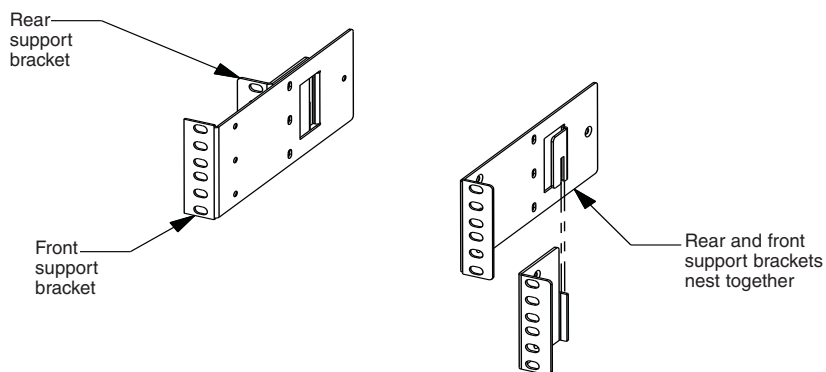
**42 RU:** R2P79

# Cisco ^ 2 Post Rack Switch Brackets

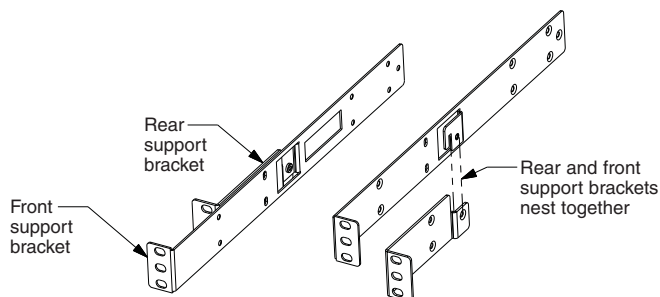
## R2P5010B



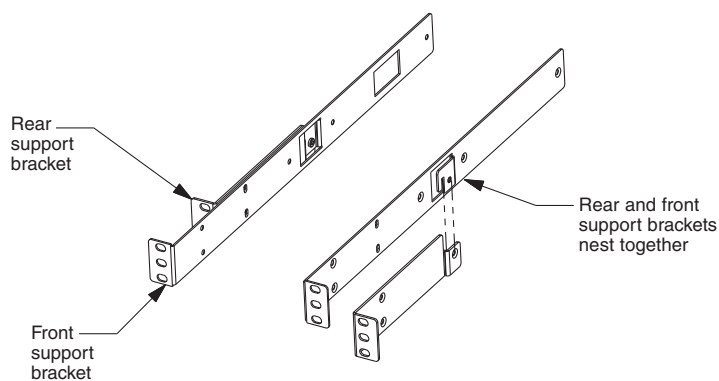
## R2P5020B



## R2PN2KB



## R2P5548B



### WORLDWIDE SUBSIDIARIES AND SALES OFFICES

PANDUIT CANADA  
Markham, Ontario  
cs-cdn@panduit.com  
Phone: 800.777.3300

PANDUIT EUROPE LTD.  
London, UK  
cs-emea@panduit.com  
Phone: 44.20.8601.7200

PANDUIT SINGAPORE PTE. LTD.  
Republic of Singapore  
cs-ap@panduit.com  
Phone: 65.6305.7575

PANDUIT JAPAN  
Tokyo, Japan  
cs-japan@panduit.com  
Phone: 81.3.6863.6000

PANDUIT LATIN AMERICA  
Guadalajara, Mexico  
cs-la@panduit.com  
Phone: 52.33.3777.6000

PANDUIT AUSTRALIA PTY. LTD.  
Victoria, Australia  
cs-aus@panduit.com  
Phone: 61.3.9794.9020

For a copy of Panduit product warranties, log on to [www.panduit.com/warranty](http://www.panduit.com/warranty)

For more information

Visit us at [www.panduit.com](http://www.panduit.com)

Contact Customer Service by email: [cs@panduit.com](mailto:cs@panduit.com)  
or by phone: 800.777.3300 and reference RKSP54

# PANDUIT®

©2011 Panduit Corp.  
ALL RIGHTS RESERVED.

WW-RKSP54

8/2011