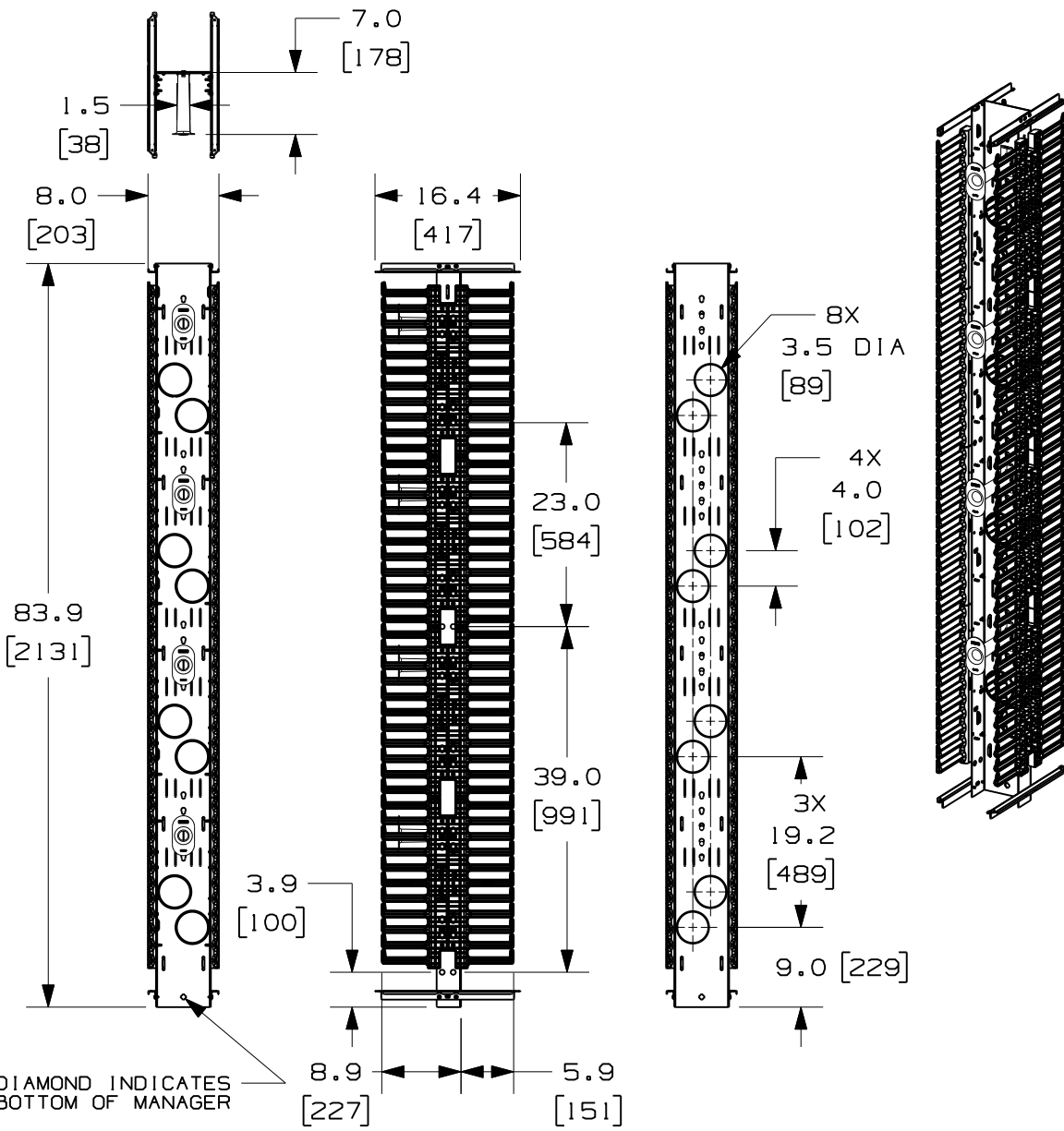


THIS COPY IS PROVIDED ON A RESTRICTED BASIS AND IS NOT TO BE USED IN ANY WAY DETRIMENTAL TO THE INTERESTS OF PANDUIT CORP.



PANDUIT P/N	WEIGHT
PRV8	35.0 LBS/EACH (15.9 kg/EACH)

NOTES:

- VISIT OUR ON-LINE CATALOG AT WWW.PANDUIT.COM FOR A CURRENT LIST OF PRODUCTS APPLICABLE FOR USE WITH THIS PART.
- COMPONENTS: (1) 8" VERTICAL MANAGER
(1) HARDWARE KIT
(4) MOLDED FRONT SPOOLS (P/N: PRSP7)
- CAN BE USED WITH ANY 19 OR 23 INCH EIA STANDARD RACK.
- 8" DOOR SOLD SEPARATLY (P/N: PRD8)
- 5" REAR MOUNTING SPOOLS SOLD SEPARATELY (P/N: PRSP5)
- SPOOLS HAVE MULTIPLE MOUNTING POSITIONS TO ACCOMMODATE CABLE SLACK.
- DIMENSIONS IN PARENTHESIS ARE METRIC.
- ALL DIMENSIONS ARE REFERENCE ONLY.

MODEL FILENAME	V10179AB/09.PRT
CAD FILENAME/LAYERS	V10179AB_DC_09A.PRT
PANDUIT CORP. TINLEY PARK, ILLINOIS	
8" VERTICAL MANAGER FRONT AND REAR (PRV8) CUSTOMER DRAWING	

REV	DATE	BY	CHK	DESCRIPTION	ECN	R	CUST	SUP	OTH
09A	10-10-11	BAME		UPDATED VIEWS	10179-28		CMK		
08A	1-24-10	BAME	NAGL	REMOVED TOLERANCES CHANGED DOOR BRACKET DESIGN	10179-28		CMK		
01	12-14-07	BAME	NAGL	CHANGED FINGER DESIGN	10179-28		CMK		
R	5-17-04	JDWE	MAV	RELEASE TO PRODUCTION	10179-28		MJM		

UNLESS OTHERWISE SPECIFIED, DIMENSIONAL TOLERANCES ARE:		UNLESS OTHERWISE SPECIFIED, ALL DIMENSIONS ARE GIVEN IN INCHES, THIRD ANGLE PROJECTION.	
DRAWN BY JDWE	MAT'L:	SCALE NONE	
DATE 5-17-04	BACKBONE - STEEL SPOOLS - POLYCARBONATE FINGERS - ABS	DRAWING NO.	DWG SIZE
CHK'D MAV		10179-28	A