

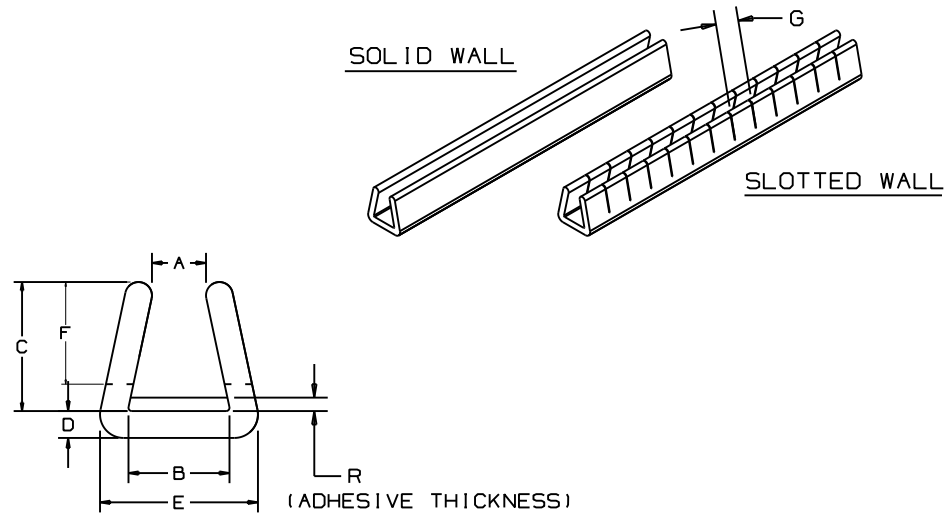
THIS COPY IS PROVIDED ON A RESTRICTED BASIS AND IS NOT TO BE USED IN ANY WAY DETRIMENTAL TO THE INTERESTS OF PANDUIT CORP.

PANDUIT PART NUMBER **	PANEL THICKNESS	A	B	C	D	E	F	G	R
		±0.013 (0.33)	±0.015 (0.38)	+0.020 (0.51) -0.015 (0.38)	+0.020 (0.51) -0.015 (0.38)	REF.	±TOL.	REF.	REF.
GE_62F-A-C	0.036 - 0.062 (0.91 - 1.57)	0.031 (0.79)	0.070 (1.78)	0.130 (3.30)	0.030 (0.76)	0.131 (3.33)	0.105 +0.005 (0.13) (2.67) -0.025 (0.64)	0.150 (3.81)	0.06 (1.52)
GE_99F-A-C	0.062 - 0.099 (1.57 - 2.51)	0.049 (1.24)	0.108 (2.74)	0.155 (3.94)	0.030 (0.76)	0.169 (4.29)	0.125 +0.005 (0.13) (3.18) -0.025 (0.64)	0.150 (3.81)	0.06 (1.52)
GE_144F-A-C	0.099 - 0.144 (2.51 - 3.66)	0.080 (2.03)	0.152 (3.86)	0.192 (4.88)	0.030 (0.76)	0.213 (5.41)	0.160 +0.005 (0.13) (4.06) -0.035 (0.89)	0.150 (3.81)	0.06 (1.52)

NOTES:

- * 1) DIM'S F & G APPLY ONLY TO SLOTTED GROMMET EDGING.
- ** 2) PART NO. EXAMPLE:

GE	S	62	F	-	A	-	C	O	
GROMMET EDGING		MAX. PANEL THICKNESS		F=POLYETHYLENE		A=ADHESIVE		O WEATHER RESISTANT BLACK 100 FOOT ROLL	
S=SOLID		E=SLOTTED							
- 3) SEE CURRENT PRICE SHEET FOR PART NO. SUFFIX DESIGNATION FOR PACKAGE SIZE.
- 4) COLOR: a) NATURAL
b) -O AFTER PART NO. DENOTES WEATHER RESISTANT BLACK
- 5) THE ADHESIVE WIDTH IS TO STRETCH COMPLETELY ACROSS THE PRODUCT PROFILE.
- 6) SLOTTED WALL STYLE IS RECOMMENDED FOR INSIDE PANEL CUT OUTS.
SOLID WALL STYLE IS RECOMMENDED FOR STRAIGHT, OUTSIDE EDGES.



(DIMENSIONS IN PARENTHESES ARE IN METRIC.)

CAD FILENAME/LAYERS: G00308BA_DC_ADHGROMMEDG_05

6	10/18/11	SHOR	VJS	ADDED TOLERANCES FOR A, B, C, & F	GB0308BA	6	RAMI		
5	10/27/03	JAD		UPDATED DIM 'A' FOR EACH PRODUCT	GB0308BA	5			
4	6/12/02	LGG		REVISED DIM 'F' TO REFERENCE	GB0308BA	4			
3	3/19/02	LGG		REMOVED NOTE '5' AND RENUMBERED. ADDED REF TO 'G' DIM REMOVED 'MAX. FROM 'R' DIM & ADDED ADHESIVE THICKNESS.	GB0308BA	3			
2	08/05/98	CPE		CAD FILE RENAMED, ADDED NOTE #7	GB0308BA	2			
1	04/28/97	CPE		CAD FILE RENAMED PER CURRENT NAMING CONVENTION	GB0308BA	1			
				GES36F-A-C WAS REMOVED AS THIS PART IS NOT BEING SET UP					
R	02/17/93	CPE		INITIAL RELEASE	GB0308BA	R			
REV	DATE	BY	CHK	DESCRIPTION	ECN	R	CUST	SUP	QC

PANDUIT CORP. TINLEY PARK, ILLINOIS

ADHESIVE LINED GROMMET EDGING

UNLESS OTHERWISE SPECIFIED, DIMENSIONAL TOLERANCES ARE:
 (.X) ±0.1(2.5) (.XXX) ±0.020(0.5)
 (.XX) ±0.05(1.3) ANGLES ±5°

UNLESS OTHERWISE SPECIFIED, ALL DIMENSIONS ARE GIVEN IN INCHES, THIRD ANGLE PROJECTION.

SCALE: NONE

DRAWN BY: CPE MAT'L: SEE NOTE #2

DATE: 02/17/93

DRAWING NO.: GB0308BA

CHK'D

DWG SIZE: A