

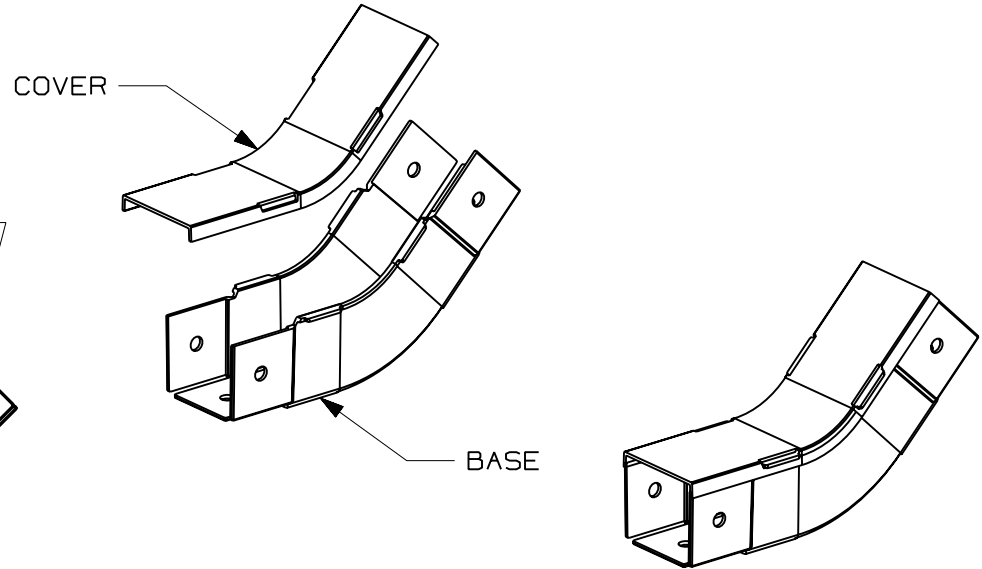
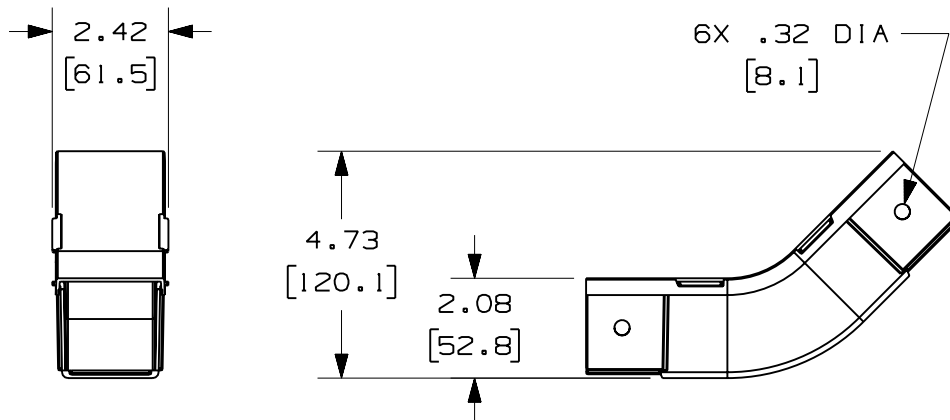
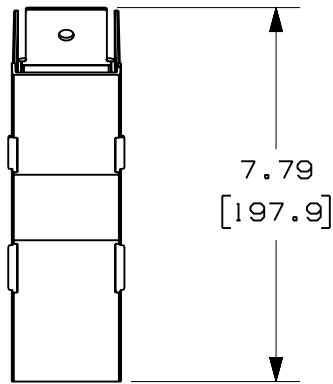


PANDUIT PART NUMBER	WEIGHT
FIV452X2	0.23 LB/EACH (104g/EACH)



E NOTES:

1. SEE CURRENT CATALOG FOR ADDITIONAL PART SUFFIXES TO INDICATE COLOR AND/OR PACKAGE QUANTITY.
2. THE FIBER-DUCT 2x2 AND FIBERRUNNER 2x2 INSIDE VERTICAL 45° ANGLE FITTING IS DESIGNED WITH A MINIMUM 2" (50.8) BEND RADIUS TO PROTECT FIBER OPTIC CABLES.
3. DIMENSIONS IN PARENTHESES ARE IN METRIC.



ENG. REF.: D35245BX_DC_FIV452X2_03.prt

CAD FILENAME/LAYERS: FIV452X2.pdf

PANDUIT CORP TINLEY PARK, ILLINOIS
 FIBER-DUCT 2x2 AND FIBERRUNNER 2x2
 INSIDE VERTICAL 45° ANGLE FITTING
 (FIV452X2)
 CUSTOMER DRAWING

UNLESS OTHERWISE SPECIFIED, DIMENSIONAL TOLERANCES ARE:
 (.X) ± (.XXX) ±
 (.XX) ± .03 (.8) ANGLES ±

UNLESS OTHERWISE SPECIFIED, ALL DIMENSIONS ARE GIVEN IN INCHES, THIRD ANGLE PROJECTION.

REV	DATE	BY	CHK	DESCRIPTION	ECN	R	CUST	SUP	GMBH
-	-----	---	---	F. REVISED PART WEIGHT E. REVISED GENERAL NOTES	-----	--	--		
3	6-23-06	DTP	RN	D. REVISED DRAWING TITLE C. REVISED AND REDRAWN	35245-24	RN	RN		

DRAWN BY: PM	MAT'L: ABS	SCALE: NONE
DATE: 1-21-97		DRAWING NO.: 35245-24
CHK'D: CEF		DWG SIZE: A