

4-Post Open Frame Racks

4-Post Open Frame Rack

Rack depth fully adjustable



Industry Standards

UL 1863 Listed; File No. E230874
cUL Listed per CSA C22.2 No. 182.4; File No. E230874

EIA 310-D

Standard Product

| Catalog Number | AxB mm | AxB in. | Mounting Hole Type | Rack Units | Nominal Frame Height A |
|----------------|------------|---------------|--------------------|------------|------------------------|
| E4DR19FM38U | 1826 x 514 | 71.88 x 20.25 | Tapped | 38 | 6 ft. |
| E4DR19FM45U | 2131 x 514 | 83.88 x 20.25 | Tapped | 45 | 7 ft. |
| E4DR19FM51U | 2438 x 514 | 96.00 x 20.25 | Tapped | 51 | 8 ft. |
| E4DRS19FM45U | 2131 x 514 | 83.88 x 20.25 | Square | 45 | 7 ft. |
| E4DRS19FM51U | 2438 x 514 | 96.00 x 20.25 | Square | 51 | 8 ft. |

Application

4-Post Open Frame Racks combine the mounting security of a cabinet with the accessibility of a rack. Used in communication data center and telecommunication room applications, these adjustable-depth racks support deeper, heavier network equipment and can be ganged with standard 2-post or other 4-post racks to expand existing systems.

Features

- Depth adjustable 450 mm to 1050 mm (17.7 in. to 41.3 in.) in 25-mm (.98-in.) increments
- EIA universal 5/8 - 5/8 - 1/2 in. spaced 12-24 tapped holes or .375-in. square holes fit 19-in. rack equipment
- Compatible with 19-in. rack accessories
- Available with nominal frame height of 6, 7 and 8 ft.
- RU markings on both front and back of tapped-hole uprights make it easier to mount equipment
- Floor mounting holes predrilled at .750-in. diameter
- 12-24 rack mounting screws (pkg. of 20) included with tapped-hole model
- Can be ganged with both 2- and 4-Post Open Frame racks
- Includes complete assembly instructions
- Shipped unassembled for convenient transport to job site

Specifications

- Uprights on the tapped-hole model are made of lightweight extruded aluminum (6063-T6 alloy) and include RU markings on both front and back of uprights
- Uprights on the square-hole model are made from 12 gauge steel
- Top and bottom angles made of extruded aluminum (6063-T6 alloy)

Finish

Smooth RAL 9005 black polyester powder paint finish.

Load Rating

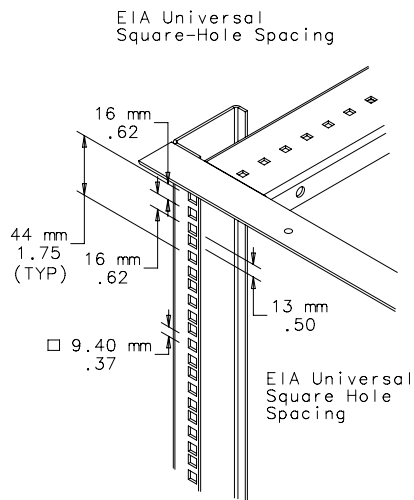
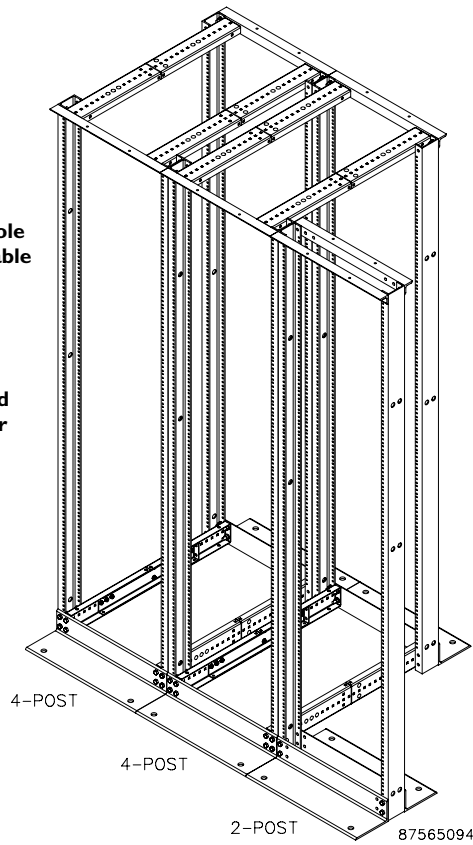
2500 lb. (1134 kg)

Bulletin: DOFR4

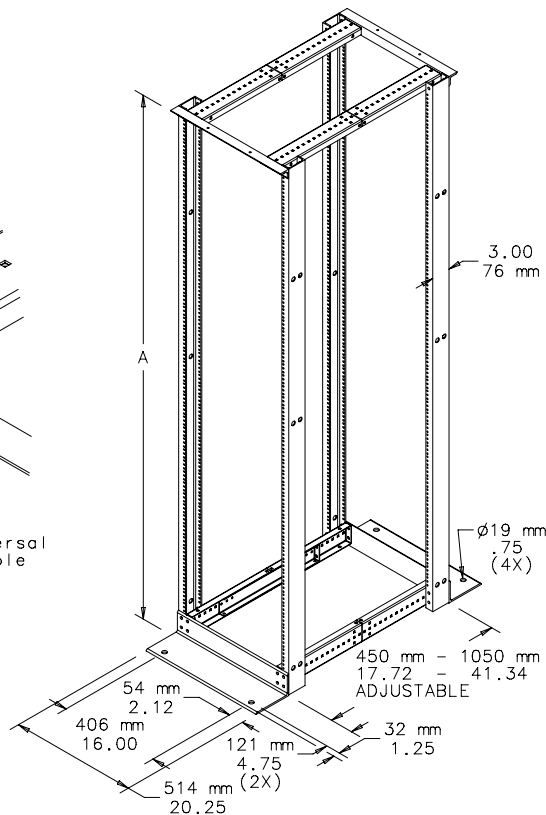
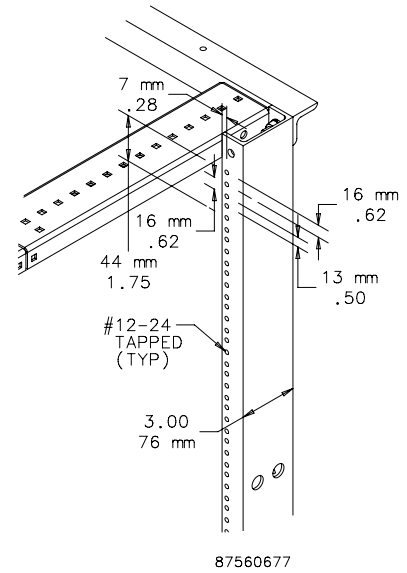
4-Post Open Frame Racks

Both tapped and square hole models available
(tapped hole model shown)

4-post racks can be ganged with 2-post or other 4-post racks



EIA Universal Tapped-Hole Spacing



87560677