

**ZONEX™ ATEX- AND IECEX-CERTIFIED, TYPE 4X**

**INDUSTRY STANDARDS**
**ATEX Directive 94/9/EC  
ATEX**

Sira 09ATEX3224U  
Ex e IIC Gb  
Ex tb IIIC Db IP 66

EN 60079-0:2009  
EN 60079-7:2007  
EN 61241-0:2006  
EN 61241-1:2004

**IECEX**

IECEX SIR 09.0099U  
Ex e IIC Gb  
Ex tb IIIC Db IP 66

IEC 60079-0:2007-2010  
IEC 60079-7:2006-2007  
IEC 61241-0:2004  
IEC 61241-1:2004

**AEx/Ex**

UL File E67456 Class I, Zone I  
AEx e IIC Tamb -20C to +60C  
Ex e IIC U Tamb -20C to +60C

UL 508A Listed; Type 4, 4X, 12; File No. E61997  
cUL C22.2 No. 94 Listed; Type 4, 4X, 12; File No. E61997

NEMA/EEMAC Type 4, 4X, 12  
IEC 60529, IP66

**APPLICATION**

ZONEX™ Enclosures are designed and certified to meet ATEX Directive 94/9/EC as well as IECEX and AEx standards for increased safety in housing electrical components in Zone 1 and Zone 2 applications.

Hoffman's ATEX Ex e enclosures are not intended for use in explosion-proof or flame-proof applications.

**FEATURES**

- Easy-to-use Type 316 stainless steel quarter-turn door latching
- 3-mm double-bit insert for security
- Slot and through-hole side-mount hanging brackets
- Lift-off door hinges
- Removable gland plates; one or three gland plates standard

**SPECIFICATIONS**

- Fabricated from Type 316 stainless steel
- Type 316 stainless steel external fasteners
- Gray silicone high-temperature gasket on doors and gland plates; operating temperature range -55 C to +180 C
- Internal/external brass earth/ground provision

**FINISH**

#3 brushed finish

**ACCESSORIES**

Panels  
Hazardous Location Thermostat  
Hazardous Location Heater

**MODIFICATION AND CUSTOMIZATION**

Hoffman excels at modifying and customizing products to your specifications. Contact your local Hoffman sales office or distributor for complete information.

Hoffman offers a ZONEX-specific modification program with ATEX certification.

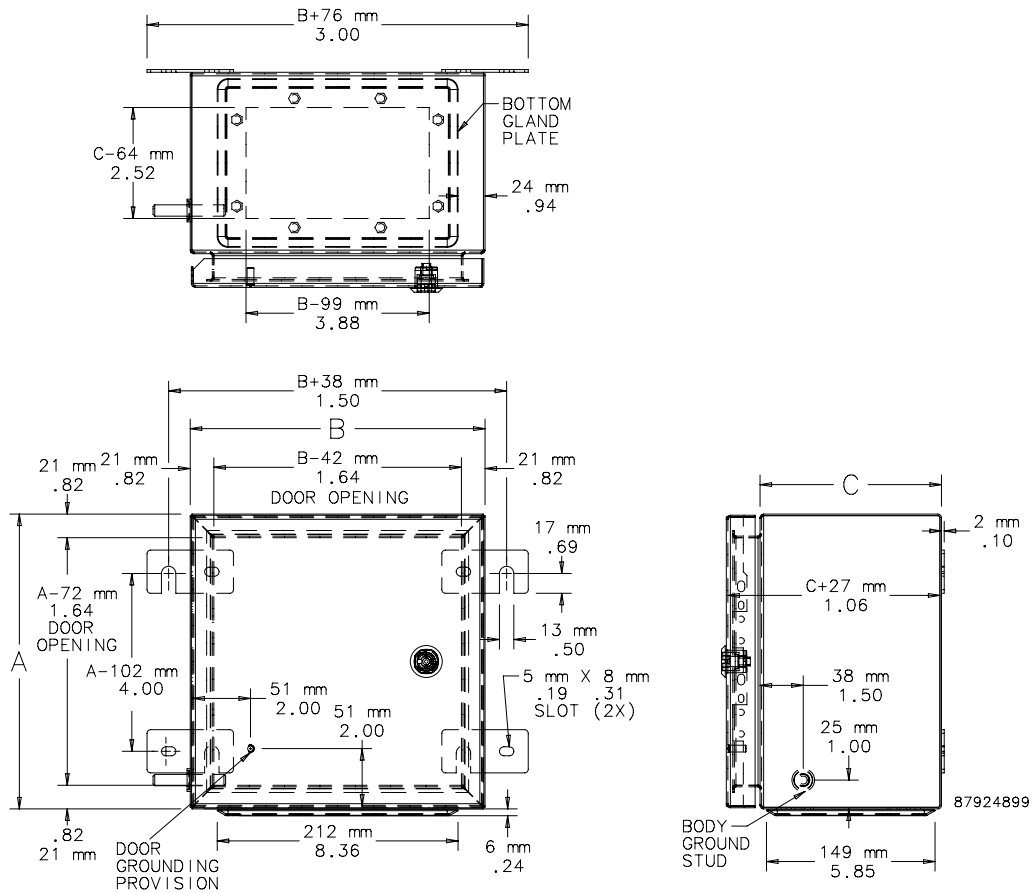
**BULLETIN: HL**



Standard Product **ZONEX Enclosures with One Gland Plate**

Catalog Number	AxBxC mm/in.	Number of Gland Plates	White Panel	Conductive Panel	Panel Size D x E mm/in.
ATEX262616SS61	260 x 260 x 160 10.24 x 10.24 x 6.30	1	ATEX26P26	ATEX26P26G	214 x 214 8.44 x 8.44
ATEX262620SS61	260 x 260 x 205 10.24 x 10.24 x 8.07	1	ATEX26P26	ATEX26P26G	214 x 214 8.44 x 8.44
ATEX303016SS61	306 x 306 x 160 12.05 x 12.05 x 6.30	1	ATEX30P30	ATEX30P30G	260 x 260 10.25 x 10.25
ATEX303020SS61	306 x 306 x 205 12.05 x 12.05 x 8.07	1	ATEX30P30	ATEX30P30G	260 x 260 10.25 x 10.25
ATEX382616SS61	380 x 260 x 160 14.96 x 10.24 x 6.30	1	ATEX38P26	ATEX38P26G	334 x 214 13.16 x 8.44
ATEX382620SS61	380 x 260 x 205 14.96 x 10.24 x 8.07	1	ATEX38P26	ATEX38P26G	334 x 214 13.16 x 8.44
ATEX453816SS61	458 x 382 x 160 18.03 x 15.04 x 6.30	1	ATEX45P38	ATEX45P38G	412 x 336 16.23 x 13.24
ATEX484820SS61	480 x 480 x 205 18.90 x 18.90 x 8.07	1	ATEX48P48	ATEX48P48G	434 x 434 17.10 x 17.10
ATEX503516SS61	500 x 350 x 160 19.69 x 13.78 x 6.30	1	ATEX50P35	ATEX50P35G	454 x 304 17.89 x 11.98
ATEX503520SS61	500 x 350 x 205 19.69 x 13.78 x 8.07	1	ATEX50P35	ATEX50P35G	454 x 304 17.89 x 11.98
ATEX624520SS61	620 x 450 x 205 24.41 x 17.72 x 8.07	1	ATEX62P45	ATEX62P45G	574 x 404 22.61 x 15.92
ATEX745520SS61	740 x 550 x 205 29.13 x 21.65 x 8.07	1	ATEX74P55	ATEX74P55G	694 x 504 27.33 x 19.85
ATEX765020SS61	762 x 508 x 205 30.00 x 20.00 x 8.07	1	ATEX76P50	ATEX76P50G	716 x 462 28.20 x 18.20

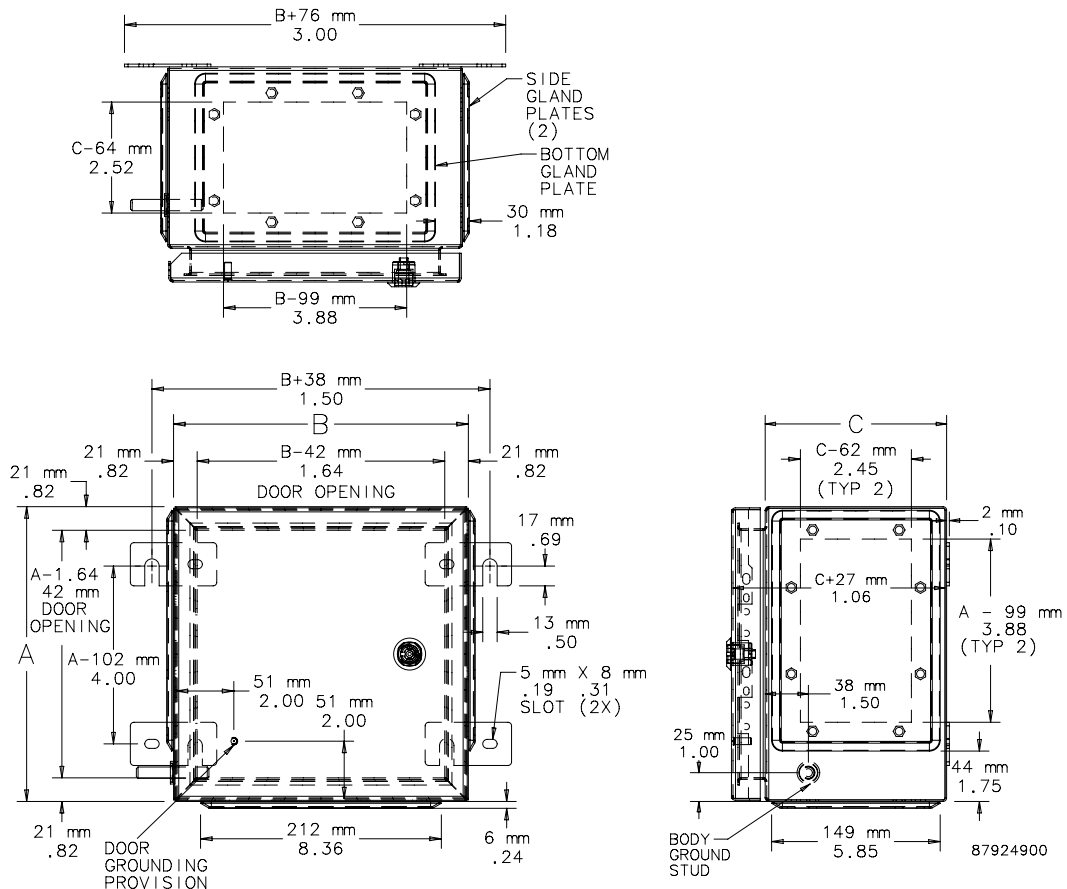
Purchase panels separately.



## Standard Product ZONEX Enclosures with Three Gland Plates

Catalog Number	AxBxC mm/in.	Number of Gland Plates	White Panel	Conductive Panel	Panel Size D x E mm/in.
ATEX262616SS63	260 x 260 x 160 10.24 x 10.24 x 6.30	3	ATEX26P26	ATEX26P26G	214 x 214 8.44 x 8.44
ATEX262620SS63	260 x 260 x 205 10.24 x 10.24 x 8.07	3	ATEX26P26	ATEX26P26G	214 x 214 8.44 x 8.44
ATEX303016SS63	306 x 306 x 160 12.05 x 12.05 x 6.30	3	ATEX30P30	ATEX30P30G	260 x 260 10.25 x 10.25
ATEX303020SS63	306 x 306 x 205 12.05 x 12.05 x 8.07	3	ATEX30P30	ATEX30P30G	260 x 260 10.25 x 10.25
ATEX382616SS63	380 x 260 x 160 14.96 x 10.24 x 6.30	3	ATEX38P26	ATEX38P26G	334 x 214 13.16 x 8.44
ATEX382620SS63	380 x 260 x 205 14.96 x 10.24 x 8.07	3	ATEX38P26	ATEX38P26G	334 x 214 13.16 x 8.44
ATEX453816SS63	458 x 382 x 160 18.03 x 15.04 x 6.30	3	ATEX45P38	ATEX45P38G	412 x 336 16.23 x 13.24
ATEX484820SS63	480 x 480 x 205 18.90 x 18.90 x 8.07	3	ATEX48P48	ATEX48P48G	434 x 434 17.10 x 17.10
ATEX503516SS63	500 x 350 x 160 19.69 x 13.78 x 6.30	3	ATEX50P35	ATEX50P35G	454 x 304 17.89 x 11.98
ATEX503520SS63	500 x 350 x 205 19.69 x 13.78 x 8.07	3	ATEX50P35	ATEX50P35G	454 x 304 17.89 x 11.98
ATEX624520SS63	620 x 450 x 205 24.41 x 17.72 x 8.07	3	ATEX62P45	ATEX62P45G	574 x 404 22.61 x 15.92
ATEX745520SS63	740 x 550 x 205 29.13 x 21.65 x 8.07	3	ATEX74P55	ATEX74P55G	694 x 504 27.33 x 19.85
ATEX765020SS63	762 x 508 x 205 30.00 x 20.00 x 8.07	3	ATEX76P50	ATEX76P50G	716 x 462 28.20 x 18.20

Purchase panels separately.

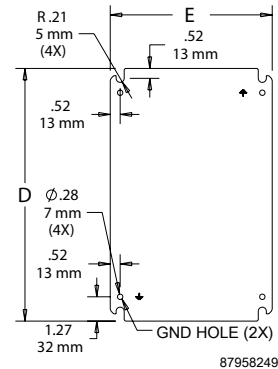


## ZONEX™ ACCESSORY PANELS

Steel panels are 12 gauge finished with white polyester powder paint or with a conductive, corrosion-resistant coating. Panel mounting hardware is furnished with all ZONEX enclosures.

BULLETIN: HL

Catalog Number	AxB mm	AxB in.	Panel Type	Panel Size D x E (mm)	Panel Size D x E (in.)
ATEX26P26	215 x 215	8.46 x 8.46	White	214 x 214	8.44 x 8.44
ATEX26P26G	215 x 215	8.46 x 8.46	Conductive	214 x 214	8.44 x 8.44
ATEX30P30	261 x 261	10.28 x 10.28	White	260 x 260	10.25 x 10.25
ATEX30P30G	261 x 261	10.28 x 10.28	Conductive	260 x 260	10.25 x 10.25
ATEX38P26	335 x 215	13.19 x 8.46	White	334 x 214	13.16 x 8.44
ATEX38P26G	335 x 215	13.19 x 8.46	Conductive	334 x 214	13.16 x 8.44
ATEX45P38	413 x 337	16.26 x 13.27	White	412 x 336	16.23 x 13.24
ATEX45P38G	413 x 337	16.26 x 13.27	Conductive	412 x 336	16.23 x 13.24
ATEX48P48	435 x 435	17.13 x 17.13	White	434 x 434	17.10 x 17.10
ATEX48P48G	435 x 435	17.13 x 17.13	Conductive	434 x 434	17.10 x 17.10
ATEX50P35	455 x 305	17.91 x 12.01	White	454 x 304	17.89 x 11.98
ATEX50P35G	455 x 305	17.91 x 12.01	Conductive	454 x 304	17.89 x 11.98
ATEX62P45	574 x 405	22.60 x 15.94	White	574 x 404	22.61 x 15.92
ATEX62P45G	574 x 405	22.60 x 15.94	Conductive	574 x 404	22.61 x 15.92
ATEX74P55	695 x 505	27.36 x 19.88	White	694 x 504	27.33 x 19.85
ATEX74P55G	695 x 505	27.36 x 19.88	Conductive	694 x 504	27.33 x 19.85
ATEX76P50	717 x 463	28.23 x 18.23	White	716 x 462	28.20 x 18.20
ATEX76P50G	717 x 463	28.23 x 18.23	Conductive	716 x 462	28.20 x 18.20



## ATEX DIRECTIVE AND CLASSIFICATION SYSTEM

Since 2003, manufacturers across the European Union (EU) have been obliged to comply with strict new EU directives governing safety in explosive atmospheres. Called ATEX (from the French Atmosphères EXplosives), ATEX Directive 94/9/EC has an impact not only on European manufacturers, but also on non-European makers of industrial equipment wishing to sell in Europe.

Two of the most common classification systems for hazardous locations are the NEC Division Classification system and the Zone Classification system used by the European Union (EU) and the International Electrotechnical Commission (IEC).

Article 500 of the NEC also classifies hazardous locations according to the properties of the flammable vapors, liquids or gases, or according to the combustible dusts or fibers that may be present and the likelihood that a flammable or combustible concentration or quantity is present. Articles 505 and 506 of the NEC refer to zone classifications. Refer to the Technical Information section of the Specifier's Guide for specific definitions and additional information.

**Hoffman's ATEX enclosures are not intended for use in explosion-proof or flame-proof (Ex d) applications.**

NEC Divisions and IEC Zones (Not Interchangeable)

Frequency of Hazard Occurrence	NEC Division Classification System	EU and IEC Zone Classification System
Continuous Hazard	Division 1	Zone 0
Intermittent, Periodic Hazards	Division 1	Zone 1
Abnormal Condition Hazard	Division 2	Zone 2