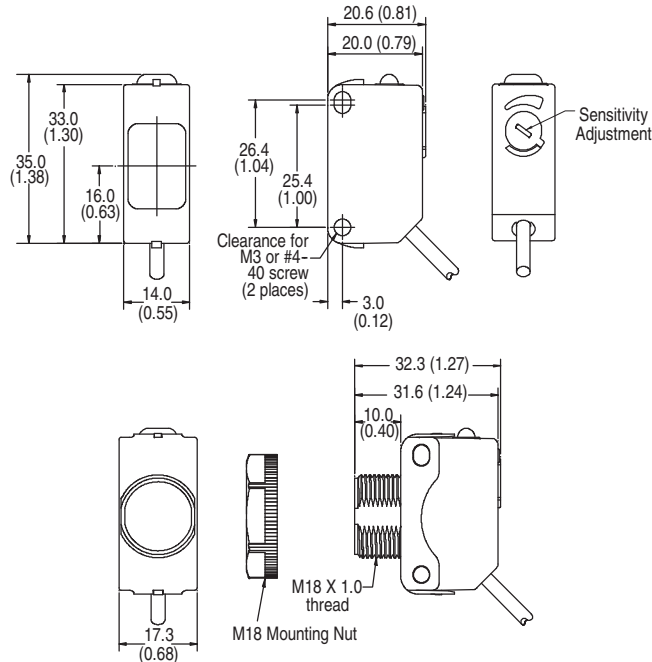
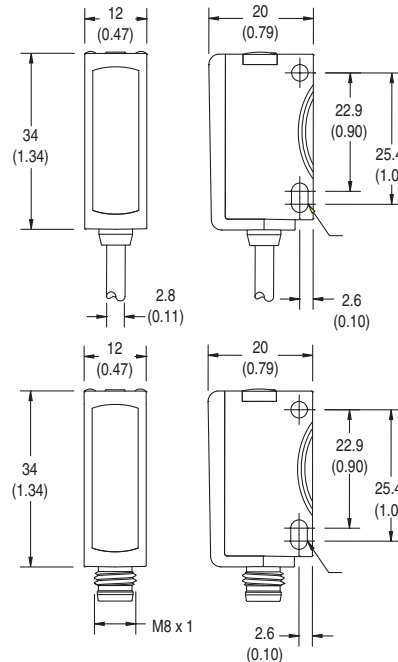


Approximate Dimensions [mm (in.)]

42JS VisiSight



42JT VisiSight



The 42JT mounting holes are located toward the rear end of the sensor while the 42JS mounting holes are located towards the front. Both sensors are compatible with the industry standard 25.4 mm mounting. The 42JT flexible mounting hole spacing ranges of 22.9...25.4 mm (0.9...1 in.), makes it compatible with the 24.1 mm (0.95 in.) hole spacing sensors.

Refer to www.ab.com/e-tools for 2D and 3D CAD drawings.

Cordsets and Accessories

Description	Cat. No.	Description	Cat. No.
DC Micro (M12) QD Cordset, Straight, 4-pin, 2 m	889D-F4AC-2	Reflector, Corner Cube, 76 mm (3 in.) diameter	92-124
DC Pico (M8) QD Cordset, Straight, 4-pin, 2 m	889D-F4AB-2	Reflector, Corner Cube, 84 mm (3.3 in.) diameter	92-125
DC Pico (M8) QD Cordset, Right Angle, 4-pin, 2 m	889P-R4AB-2	Reflector, Corner Cube, 32 mm (1.5 in.) diameter	92-47
Mounting Bracket, Stainless Steel, L-Shaped for 42JT and 42JS	60-BJS-L1	Reflector, Corner Cube, 100 x 100 mm (4 x 4 in.)	92-108
Mounting Bracket, Stainless Steel, L-Shaped for 42JS VisiSight	60-BJS-L2	Reflector, Corner Cube, 51 x 61 mm (2 x 2.5 in.)	92-109
Mounting Bracket, Stainless Steel	60-BKTL-SS	Reflector, Micro Cube, 51 x 61 mm (2 x 2.5 in.) for laser and clear object models	92-118
Mounting Bracket, Stainless Steel, L-Shaped for 42JT and 42JS VisiSight	60-BJT-L2	Mounting Bracket, Plastic, swivel/tilt for 42JS VisiSight.	60-2619
Replacement Mounting Bracket, Stainless Steel, for replacing larger (50 x 50 mm) sensors.	60-BJT-RCS	Protective Mounting Bracket, Stainless Steel, U-Shaped for 42JT and 42JS	60-BJT-U1
Replacement Mounting Bracket, Stainless Steel, for compatible sensors using holes towards the front with 42JT VisiSight.	60-BJT-P2	Protective Mounting Bracket, Stainless Steel, Horizontal and Vertical for 42JT and 42JS VisiSight	60-BJT-H1

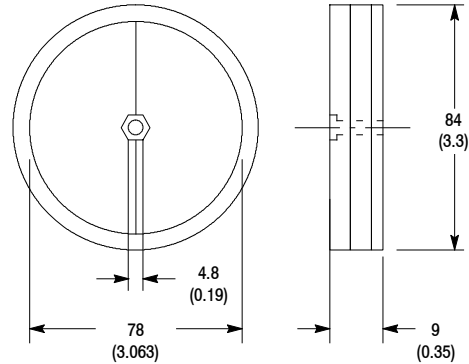
Accessories

Reflectors, Reflective Tape

Specifications

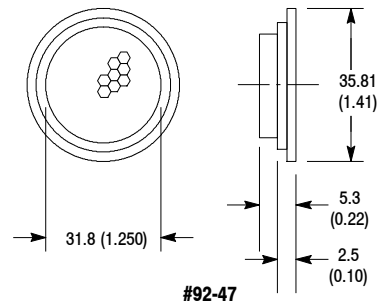
Approximate Dimensions [mm (in.)]

Cat. No.	92-39	92-124
Description	Reflector, 76 mm (3 in.) dia. with center mount hole. (Plastic back) (ABS)	
Suitable for Polarized Sensor	Yes	
Cube Style	Corner cube	
Optimum Range	150 mm (6 in.)...2 m (80 in.)	
Recommended Application	Suitable for general purpose applications up to 65°C (150°F).	

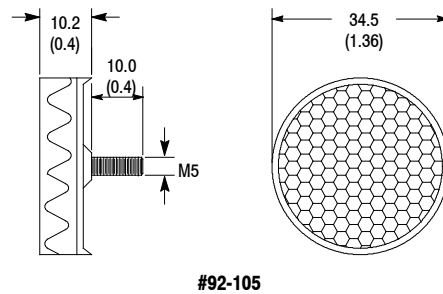


Cat. No.	92-89
Description	Reflector, 76 mm (3 in.) dia. with center mount hole. (Aluminum back)
Suitable for Polarized Sensor	Yes
Cube Style	Corner cube
Optimum Range	150 mm (6 in.)...2 m (80 in.)
Recommended Application	Suitable for general purpose applications up to 65°C (150°F).

Cat. No.	92-47
Description	Reflector, 32 mm (1.25 in.) dia. Requires adhesive backing.
Suitable for Polarized Sensor	Yes
Cube Style	Corner cube
Optimum Range	150 mm (6 in.)...1.5 m (5 ft)
Recommended Application	Suitable for general purpose applications up to 65°C (150°F).



Cat. No.	92-105
Description	Reflector, 32 mm (1.25 in.) dia. with M5 screw
Suitable for Polarized Sensor	Yes
Cube Style	Corner cube
Optimum Range	150 mm (6 in.)...1.5 m (5 ft)
Recommended Application	Suitable for general purpose applications up to 65°C (150°F).



① Optimum range varies with sensor optics. See table on page 1-315 for reflectivity performance.