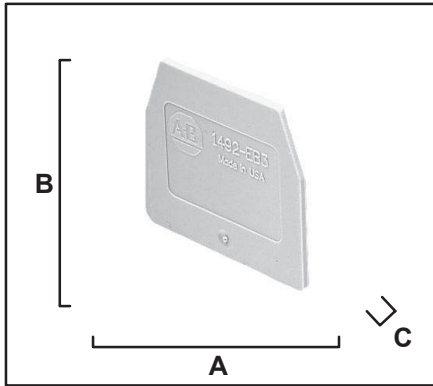


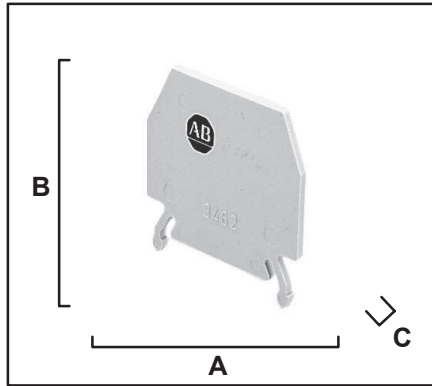
END BARRIERS — IEC

**1492-EB3, 1492-EB3-Y,
 1492-EB10, 1492-EB10-Y,
 1492-EBM3, 1492-EBM4**



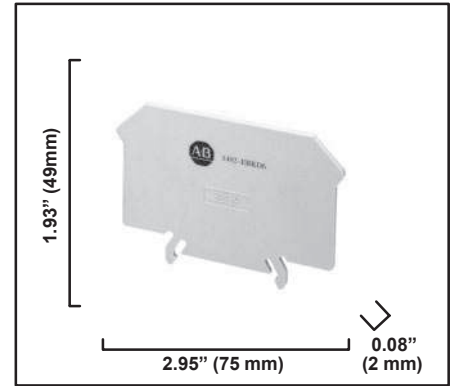
Catalog Number	A	B	C
1492-EB3	1.46"	1.38"	0.06"
1492-EB3-Y	(37 mm)	(35 mm)	(1.5 mm)
1492-EB10	1.77"	1.61"	0.06"
1492-EB10-Y	(45 mm)	(41 mm)	(1.5 mm)
1492-EBM3	1.10"	0.97"	0.06"
	(28 mm)	(24.6 mm)	(1.5 mm)
1492-EBM4	1.22"	1.09"	0.06"
	(31 mm)	(27.7 mm)	(1.5 mm)

**1492-EB16, 1492-EB35,
 1492-EBD4N**

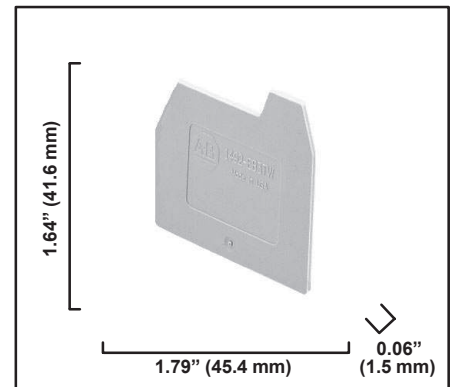


Catalog Number	A	B	C
1492-EB16	2.17"	2.15"	0.08"
	(55 mm)	(54.5 mm)	(2 mm)
1492-EB35	2.36"	2.80"	0.08"
	(60 mm)	(71 mm)	(2 mm)
1492-EBD4N	3.50"	1.97"	0.08"
	(89 mm)	(50 mm)	(2 mm)

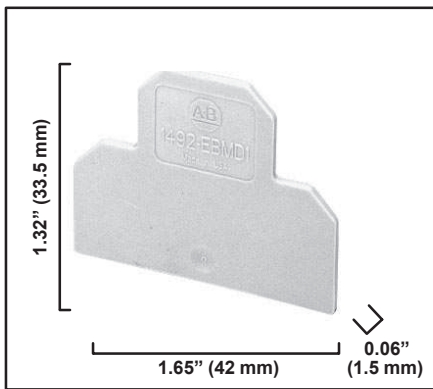
1492-EBKD6



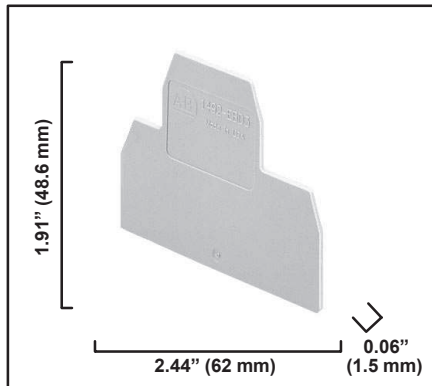
1492-EB3TW



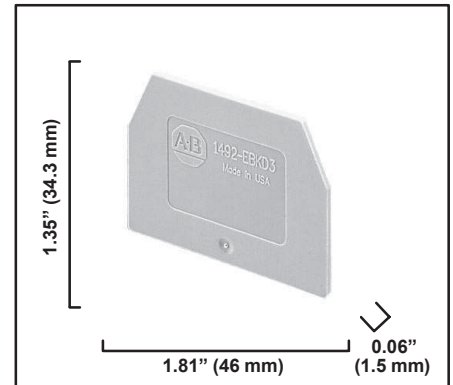
1492-EBMD1



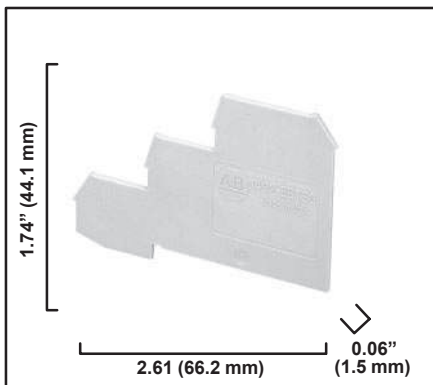
1492-EBD3



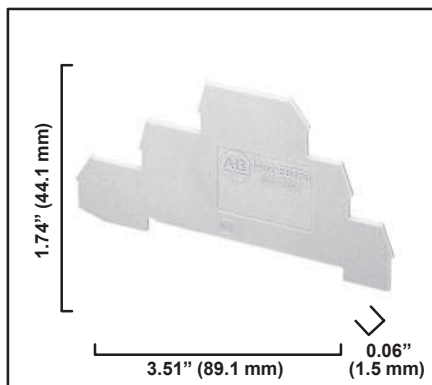
1492-EBKD3



1492-EBTS3



1492-EBTF3



Note: Height dimension of products that mount on rail is from top of rail to top of end barrier.